

C.I.P.**223 Rem.**

TAB.

I

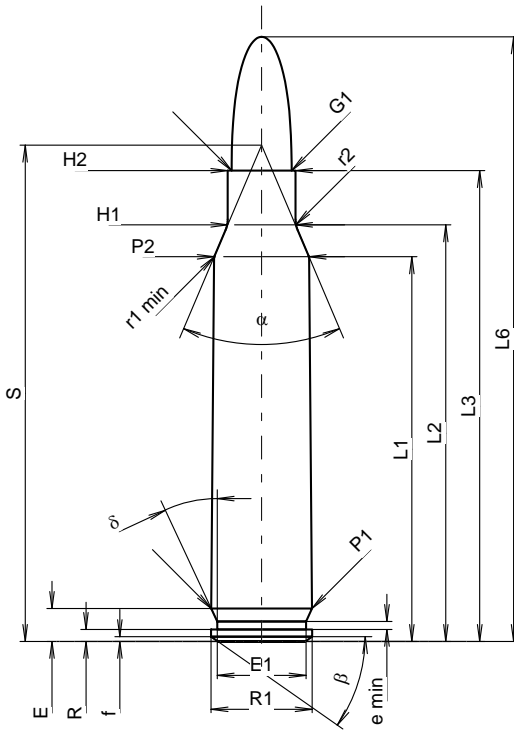
Date

84-06-14

Revision

17-05-17

Country of Origin: US

**CARTRIDGE MAXI****Lengths**

L1 ¹⁾	=	36.52	-0.20
L2 ¹⁾	=	39.55	-0.20
L3 ¹⁾	=	44.70	
L4	=		
L5	=		
L6	=	57.40	

Case Head

R	=	1.14	
R1	=	9.60	
R3	=		
E	=	3.13	
E1	=	8.43	
e min	=	0.76	
delta	=	25°	
f	=	0.45	
beta	=	35°	

Powder Chamber

P1	=	9.58	
P2 ¹⁾ *	=	9.00	-0.20

Junction Cone

alpha [*]	=	46°	
S [*]	=	47.12	
r1 min	=	0.64	
r2	=	2.54	

Collar

H1 [*]	=	6.43	
H2 ¹⁾	=	6.43	

Projectile

G1 ¹⁾	=	5.70	
G2	=		
F	=		
L3+G ¹⁾	=	46.88	

Pressures (Energies)**Method Transducer**

Pmax	=	4300 bar	
PK	=	4945 bar	
PE	=	5375 bar	
M	=	25.00	
EE	=	1825 Joule	

Miscellaneous Dimensions

Fe ¹⁾³⁾	=	0.10	
delta L	=	0.08	

CHAMBER MINI**Lengths**

L1	=	36.42	
L2	=	39.41	
L3 ¹⁾	=	45.01	

Breech

R	=		
R1	=	9.66	
R2	=		
R3	=		
r	=		

Powder Chamber

E	=	3.13	
P1 ¹⁾	=	9.61	
P2 [*]	=	9.02	

Junction Cone

alpha ¹⁾ *	=	46°	
S [*]	=	47.05	
r1 max	=	0.64	
r2	=	3.18	

Collar

H1 [*]	=	6.48	
H2 ¹⁾	=	6.45	

Commencement of Rifling

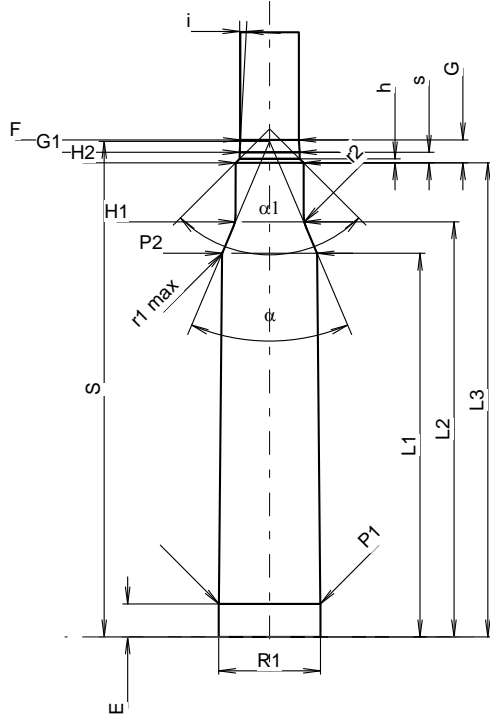
G1 ¹⁾ *	=	5.69	
G ¹⁾	=	2.18	
alpha 1	=	90°	
h	=	0.38	
s [*]	=	1.01	
i ¹⁾ *	=	3°10'36"	
w	=		

Barrel

F ¹⁾ *	=	5.56	
Z ¹⁾	=	5.69	

Grooves

b	=	1.88	
N	=	6	
u	=	305.00	
Q	=	25.03	mm ²



Scale 1.39:1

Dimensions in << mm >>
 Dimensions and Tolerances for Proof Barrels
 see Appendix CR 1.

Notes: 1) Check for safety reasons
 3) Headspace on Shoulder
 * Basic dimensions