

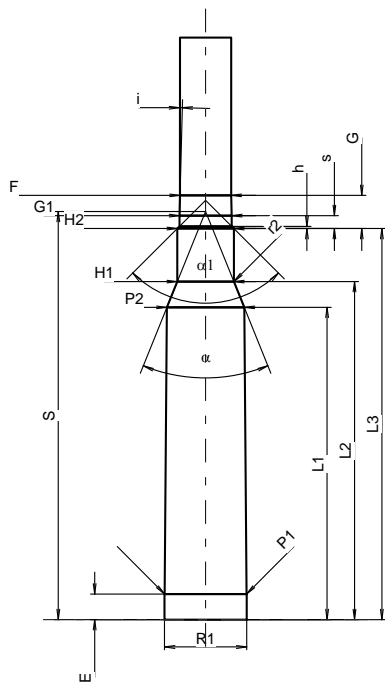
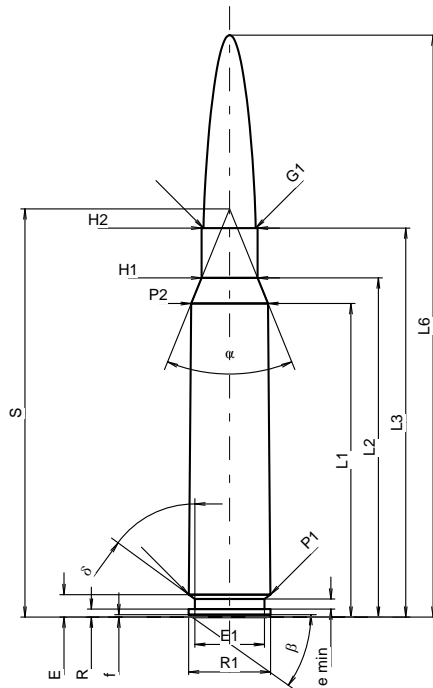
**C.I.P.****408 Chey Tac**

Country of Origin: US

TAB. I

Date 13-05-22

Revision 15-05-19



Scale 1:1.5

Dimensions in << mm >>  
 Dimensions and Tolerances for Proof Barrels  
 see Appendix CR1.

**CARTRIDGE MAXI****Lengths**

L1 <sup>1)</sup>	=	62.23	-0.20
L2 <sup>1)</sup>	=	67.31	-0.20
L3 <sup>1)</sup>	=	77.21	
L4	=		
L5	=		
L6	=	115.50	

**Case Head**

R	=	1.60	
R1	=	16.25	
R3	=		
E	=	4.47	
E1	=	13.80	
e min	=	2.00	
delta	=	53°44'	
f	=	0.50	
beta	=	35°19'59"	

**Powder Chamber**

P1	=	16.18	
P2 <sup>1)</sup> *	=	15.24	-0.20

**Junction Cone**

alpha *	=	44°08'46"	
S *	=	81.02	
r1 min	=		
r2	=		

**Collar**

H1 *	=	11.12	
H2 <sup>1)</sup>	=	11.12	

**Projectile**

G1 <sup>1)</sup>	=	10.36	
G2	=		
F	=	10.16	
L3+G <sup>1)</sup>	=	83.80	

**Pressures (Energies)****Method Transducer**

Pmax	=	4400 bar	
PK	=	5060 bar	
PE	=	5500 bar	
M	=	25.00	
EE	=	10500 Joule	

**Miscellaneous Dimensions**

Fe <sup>1)3)</sup>	=	0.10	
delta L	=	0.12	

Notes: 1) Check for safety reasons  
 3) Headspace on Shoulder  
 \* Basic dimensions

**CHAMBER MINI****Lengths**

L1	=	61.96	
L2	=	67.08	
L3 <sup>1)</sup>	=	77.60	

**Breech**

R	=		
R1	=	16.30	
R2	=		
R3	=		
r	=		

**Powder Chamber**

E	=	5.08	
P1 <sup>1)</sup>	=	16.23	
P2 *	=	15.36	

**Junction Cone**

alpha <sup>1)</sup> *	=	43°55'49"	
S *	=	81.00	
r1 max	=		
r2	=	3.05	

**Collar**

H1 *	=	11.23	
H2 <sup>1)</sup>	=	11.23	

**Commencement of Rifling**

G1 <sup>1)</sup> *	=	10.37	
G <sup>1)</sup>	=	6.59	
alpha 1	=	90°	
h	=	0.43	
s *	=	2.58	
i <sup>1)</sup> *	=	1°30'	
w	=		

**Barrel**

F <sup>1)</sup> *	=	10.16	
Z <sup>1)</sup> *	=	10.36	

**Grooves**

b	=	2.57	
N	=	8	
u *	=	330.20	
Q	=	83.15	mm <sup>2</sup>