

C.I.P.

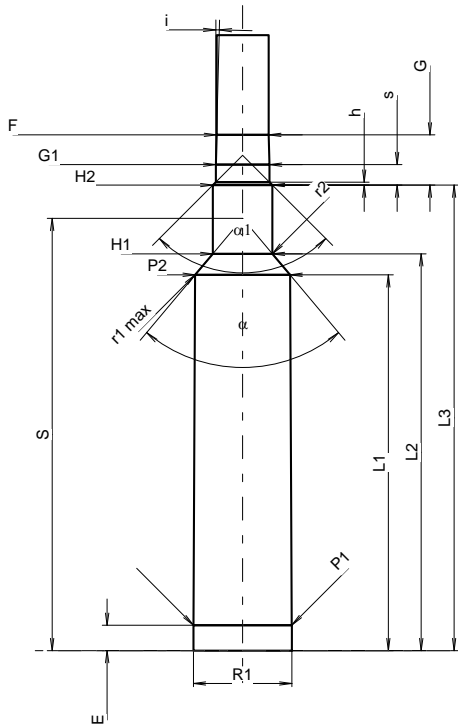
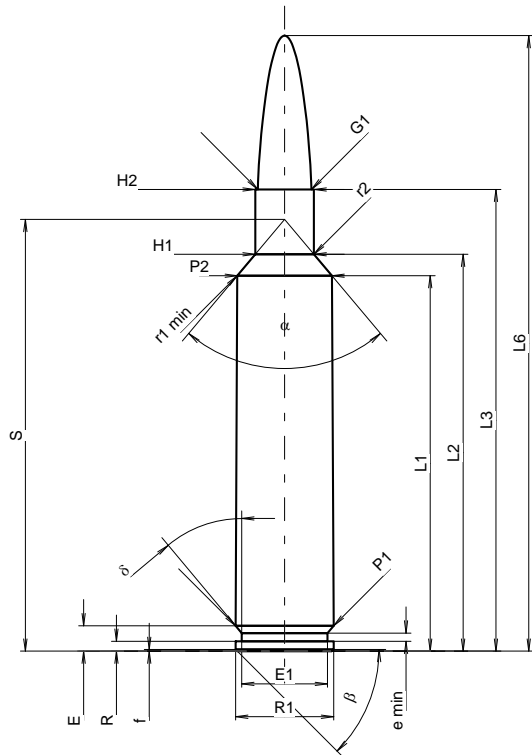
6,3 x 57 Farè

Country of Origin: IT

TAB. I

Date 12-05-30

Revision



Scale 1.09:1

Dimensions in << mm >>
Dimensions and Tolerances for Proof Barrels
see Appendix CR 1.

CARTRIDGE MAXI

Lengths

L1 ¹⁾	=	45.75	-0.20
L2 ¹⁾	=	48.35	-0.20
L3 ¹⁾	=	56.26	
L4	=		
L5	=		
L6	=	75.00	

Case Head

R	=	1.20	
R1	=	11.94	
R3	=		
E	=	3.09	
E1	=	10.45	
e min	=	1.00	
delta	=	40°	
f	=	0.20	
beta	=	45°	

Powder Chamber

P1	=	11.94	
P2 ¹⁾ *	=	11.53	-0.20

Junction Cone

alpha *	=	80°	
S *	=	52.61	
r1 min	=	0.76	
r2	=	1.17	

Collar

H1 *	=	7.16	
H2 ¹⁾	=	7.16	

Projectile

G1 ¹⁾	=	6.52	
G2	=		
F	=	6.35	
L3+G ¹⁾	=	62.38	

Pressures (Energies)

Method Transducer

Pmax	=	4400 bar	
PK	=	5060 bar	
PE	=	5500 bar	
M	=	25.00	
EE	=	3300 Joule	

Miscellaneous Dimensions

Fe ¹⁾³⁾	=	0.10	
delta L	=		

CHAMBER MINI

Lengths

L1	=	45.79	
L2	=	48.35	
L3 ¹⁾	=	56.72	

Breech

R	=		
R1	=	12.00	
R2	=		
R3	=		
r	=		

Powder Chamber

E	=	3.09	
P1 ¹⁾	=	11.97	
P2 *	=	11.56	

Junction Cone

alpha ¹⁾ *	=	80°	
S *	=	52.67	
r1 max	=	0.76	
r2	=	1.57	

Collar

H1 *	=	7.26	
H2 ¹⁾	=	7.26	

Commencement of Rifling

G1 ¹⁾ *	=	6.54	
G ¹⁾	=	6.12	
alpha 1	=	90°	
h	=	0.36	
s *	=	2.49	
i ¹⁾ *	=	1°30'	
w	=		

Barrel

F ¹⁾ *	=	6.35	
Z ¹⁾	=	6.52	

Grooves

b	=	2.50	
N	=	6	
u	=	254.00	
Q	=	32.98	mm ²

Notes: 1) Check for safety reasons
3) Headspace on Shoulder
* Basic dimensions