

# C.I.P.

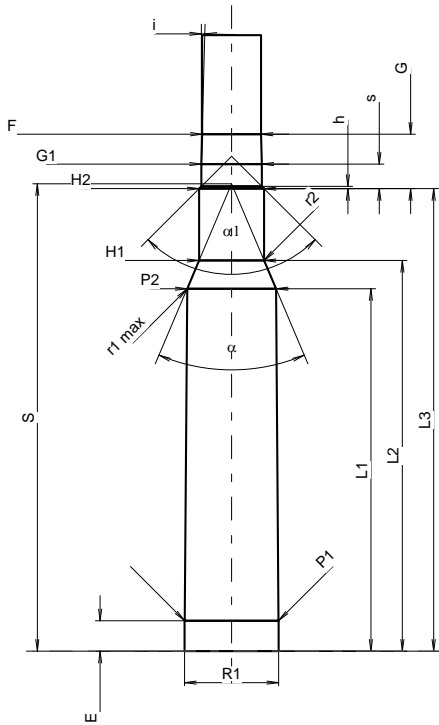
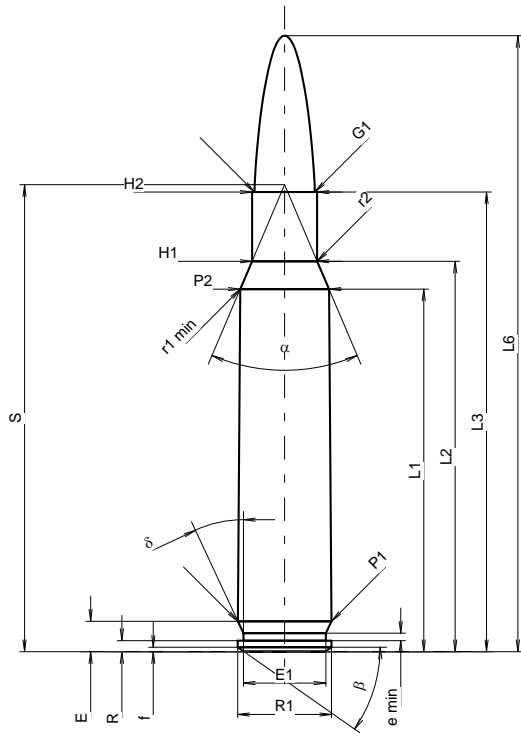
## 6 x 47 ATZL

Country of Origin: AT

TAB. I

Date 97-11-05

Revision 11-05-25



Scale 1.29:1

### CARTRIDGE MAXI

#### Lengths

L1 <sup>1)*</sup>	=	37.08	-0.20
L2 <sup>1)*</sup>	=	39.93	-0.20
L3 <sup>1)</sup>	=	47.00	
L4	=		
L5	=		
L6	=	63.00	

#### Case Head

R	=	1.14	
R1	=	9.60	
R3	=		
E	=	3.11	
E1	=	8.43	
e min	=	0.76	
delta	=	25°	
f	=	0.45	
beta	=	35°	

#### Powder Chamber

P1	=	9.56	
P2 <sup>1)*</sup>	=	9.07	-0.20

#### Junction Cone

alpha <sup>*</sup>	=	46°00'30"	
S <sup>*</sup>	=	47.76	
r1 min	=	0.64	
r2	=	2.54	

#### Collar

H1 <sup>*</sup>	=	6.65	
H2 <sup>1)</sup>	=	6.65	

#### Projectile

G1 <sup>1)</sup>	=	6.17	
G2	=		
F	=		
L3+G <sup>1)</sup>	=	52.57	

#### Pressures (Energies)

##### Method Transducer

Pmax	=	4050 bar	
PK	=	4660 bar	
PE	=	5060 bar	
M	=	25.00	
EE	=	2100 Joule	

#### Miscellaneous Dimensions

Fe <sup>1)3)</sup>	=	0.10	
delta L	=		

### CHAMBER MINI

#### Lengths

L1 <sup>*</sup>	=	37.07	
L2 <sup>*</sup>	=	39.95	
L3 <sup>1)</sup>	=	47.30	

#### Breech

R	=		
R1	=	9.63	
R2	=		
R3	=		
r	=		

#### Powder Chamber

E	=	3.11	
P1 <sup>1)</sup>	=	9.59	
P2 <sup>*</sup>	=	9.09	

#### Junction Cone

alpha <sup>1)</sup>	=	45°54'58"	
S	=	47.80	
r1 max	=	0.64	
r2	=	3.18	

#### Collar

H1 <sup>*</sup>	=	6.65	
H2 <sup>1)</sup>	=	6.65	

#### Commencement of Rifling

G1 <sup>1)*</sup>	=	6.18	
G <sup>1)*</sup>	=	5.57	
alpha 1	=	90°	
h	=	0.24	
s <sup>*</sup>	=	2.52	
i <sup>1)</sup>	=	1°30'9"	
w	=		

#### Barrel

F <sup>1)*</sup>	=	6.02	
Z <sup>1)</sup>	=	6.17	

#### Grooves

b	=	2.29	
N	=	6	
u	=	356.00	
Q	=	29.52	mm <sup>2</sup>

Dimensions in << mm >>  
Dimensions and Tolerances for Proof Barrels  
see Appendix CR 1.

Notes: 1) Check for safety reasons  
3) Headspace on Shoulder  
\* Basic dimensions