

C.I.P.

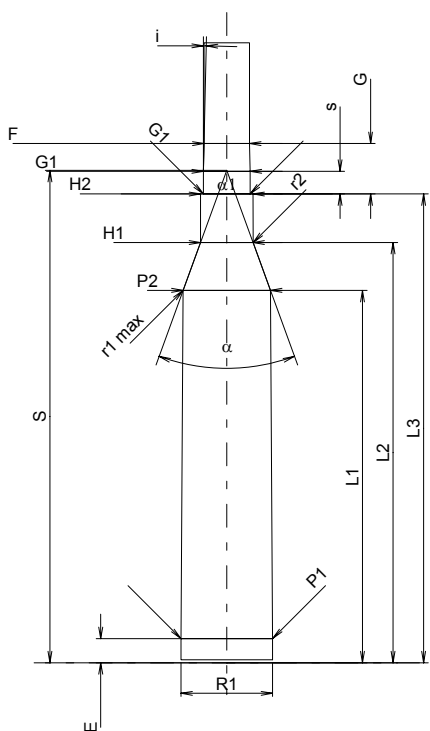
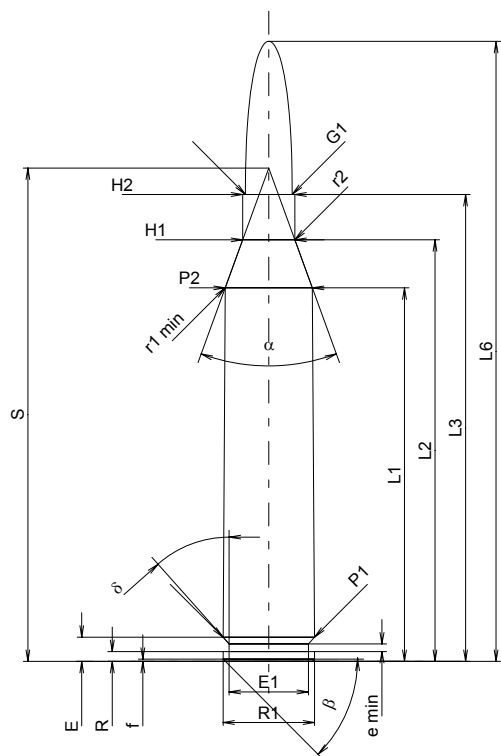
6 x 62 Freres

Country of Origin: DE

TAB. I

Date 84-06-14

Revision 02-05-15



Scale 1:1

Dimensions in << mm >>
Dimensions and Tolerances for Proof Barrels
see Appendix CR 1.

CARTRIDGE MAXI

Lengths

L1 ¹⁾ *	=	49.40	-0.20
L2 ¹⁾ *	=	55.75	-0.20
L3 ¹⁾	=	61.75	
L4	=		
L5	=		
L6	=	82.00	

Case Head

R	=	1.30	
R1	=	12.10	
R3	=		
E	=	3.20	
E1	=	10.50	
e min	=	1.00	
delta	=	41°37'48"	
f	=	0.30	
beta	=	45°	

Powder Chamber

P1	=	12.10	
P2 ¹⁾ *	=	11.53	-0.20

Junction Cone

alpha	=	39°58'50"	
S	=	65.25	
r1 min	=	0.50	
r2	=	0.50	

Collar

H1 *	=	6.91	
H2 ¹⁾	=	6.91	

Projectile

G1 ¹⁾	=	6.18	
G2	=		
F	=		
L3+G ¹⁾	=	68.42	

Pressures (Energies)

Method Transducer

Pmax	=	4300 bar	
PK	=	4945 bar	
PE	=	5375 bar	
M	=	25.00	
EE	=	3300 Joule	

Miscellaneous Dimensions

Fe ¹⁾	=	0.10	
delta L	=		

CHAMBER MINI

Lengths

L1 *	=	49.26	
L2 *	=	55.58	
L3 ¹⁾	=	62.00	

Breech

R	=	1.30	
R1	=	12.12	
R2	=		
R3	=		
r	=		

Powder Chamber

E	=	3.20	
P1 ¹⁾	=	12.12	
P2 *	=	11.55	

Junction Cone

alpha ¹⁾	=	39°59'42"	
S	=	65.13	
r1 max	=	0.50	
r2	=	0.50	

Collar

H1 *	=	6.95	
H2 ¹⁾	=	6.93	

Commencement of Rifling

G1 ¹⁾ *	=	6.19	
G ¹⁾ *	=	6.67	
alpha1	=	180°	
h	=		
s *	=	3.00	
i ¹⁾	=	1°19'	
w	=		

Barrel

F ¹⁾ *	=	6.02	
Z ¹⁾	=	6.17	

Grooves

b	=	1.73	
N	=	6	
u	=	260.00	
Q	=	29.25	mm ²

Notes: 1) Check for safety reasons
* Basic dimensions