

C.I.P.

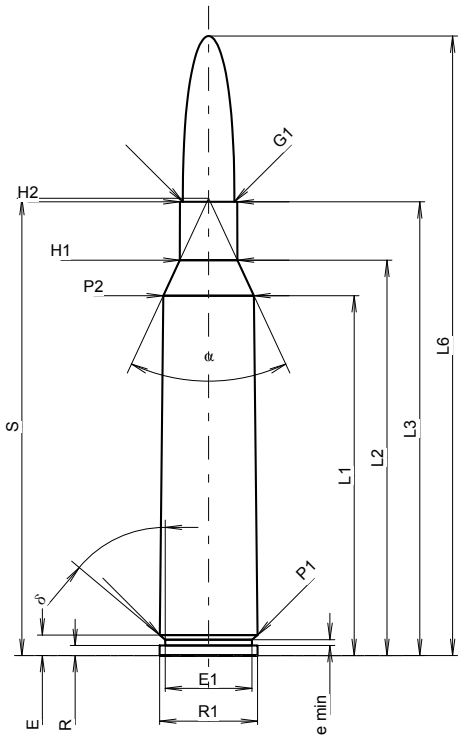
300 Lapua Mag.

Country of Origin: FI

TAB. I

Date 89-10-06

Revision 08-09-23



CARTRIDGE MAXI

Lengths

L1 ¹⁾ *	=	54.90	-0.20
L2 ¹⁾ *	=	60.31	-0.20
L3 ¹⁾	=	69.20	
L4	=		
L5	=		
L6	=	94.50	

Case Head

R	=	1.52	
R1	=	14.93	
R3	=		
E	=	3.12	
E1	=	13.24	
e min	=	0.90	
delta	=	50°	
f	=		
beta	=	45°	

Powder Chamber

P1	=	14.91	
P2 ¹⁾ *	=	13.82	-0.20

Junction Cone

alpha	=	49°57'9"	
S	=	69.73	
r1 min	=		
r2	=		

Collar

H1 *	=	8.78	
H2 ¹⁾	=	8.73	

Projectile

G1 ¹⁾	=	7.87	
G2	=		
F	=		
L3+G ¹⁾	=	75.70	

Pressures (Energies)

Method Transducer

Pmax	=	4400 bar	
PK	=	5060 bar	
PE	=	5500 bar	
M	=	25.00	
EE	=	5220 Joule	

Miscellaneous Dimensions

Fe ¹⁾³⁾	=	0.10	
delta L	=	0.07	

CHAMBER MINI

Lengths

L1 *	=	54.81	
L2 *	=	60.19	
L3 ¹⁾	=	69.45	

Breech

R	=		
R1	=	15.03	
R2	=		
R3	=		
r	=		

Powder Chamber

E	=	3.12	
P1 ¹⁾	=	14.96	
P2 *	=	13.85	

Junction Cone

alpha ¹⁾	=	50°01'18"	
S	=	69.65	
r1 max	=		
r2	=		

Collar

H1 *	=	8.83	
H2 ¹⁾	=	8.77	

Commencement of Rifling

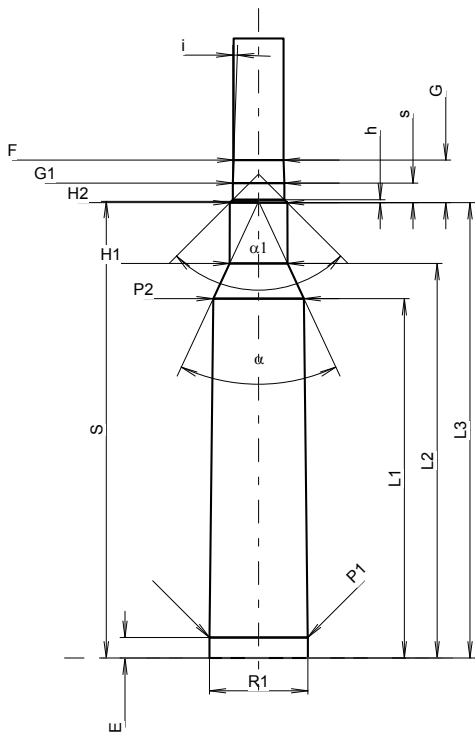
G1 ¹⁾ *	=	7.87	
G ¹⁾ *	=	6.50	
alpha l	=	90°	
h	=	0.45	
s *	=	3.00	
i ¹⁾	=	2°02'43"	
w	=		

Barrel

F ¹⁾ *	=	7.62	
Z ¹⁾	=	7.82	

Grooves

b	=	4.47	
N	=	4	
u	=	240.00	
Q	=	47.51	mm ²



Scale 1:1.15

Dimensions in << mm >>
Dimensions and Tolerances for Proof Barrels
see Appendix CR 1.

Notes: 1) Check for safety reasons
3) Headspace on Shoulder
* Basic dimensions