

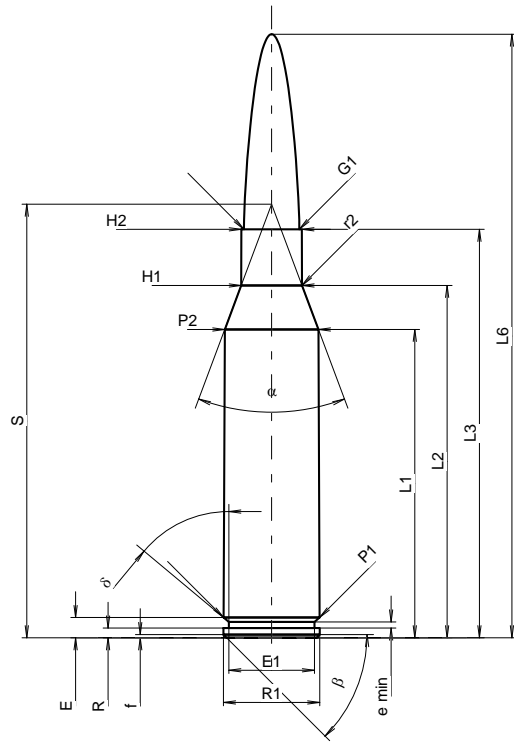
C.I.P.**338 Norma Mag.**

TAB. I

Date 10-05-26

Country of Origin: SE

Revision

**CARTRIDGE MAXI****Lengths**

| | | | |
|------------------|---|-------|-------|
| L1 ¹⁾ | = | 47.78 | -0.20 |
| L2 ¹⁾ | = | 54.60 | -0.20 |
| L3 ¹⁾ | = | 63.30 | |
| L4 | = | | |
| L5 | = | | |
| L6 | = | 93.50 | |

Case Head

| | | | |
|-------|---|-------|--|
| R | = | 1.52 | |
| R1 | = | 14.93 | |
| R3 | = | | |
| E | = | 3.15 | |
| E1 | = | 13.24 | |
| e min | = | 0.95 | |
| delta | = | 50° | |
| f | = | 0.50 | |
| beta | = | 45° | |

Powder Chamber

| | | | |
|--------------------|---|-------|-------|
| P1 | = | 14.87 | |
| P2 ¹⁾ * | = | 14.50 | -0.20 |

Junction Cone

| | | | |
|---------|---|-------|--|
| alpha * | = | 41° | |
| S * | = | 67.17 | |
| r1 min | = | | |
| r2 | = | 2.50 | |

Collar

| | | | |
|------------------|---|------|--|
| H1 * | = | 9.40 | |
| H2 ¹⁾ | = | 9.38 | |

Projectile

| | | | |
|--------------------|---|-------|--|
| G1 ¹⁾ | = | 8.60 | |
| G2 | = | | |
| F | = | | |
| L3+G ¹⁾ | = | 73.62 | |

Pressures (Energies)**Method Transducer**

| | | | |
|------|---|------------|--|
| Pmax | = | 4400 bar | |
| PK | = | 5060 bar | |
| PE | = | 5500 bar | |
| M | = | 25.00 | |
| EE | = | 6170 Joule | |

Miscellaneous Dimensions

| | | | |
|--------------------|---|------|--|
| Fe ¹⁾³⁾ | = | 0.10 | |
| delta L | = | | |

CHAMBER MINI**Lengths**

| | | | |
|------------------|---|-------|--|
| L1 | = | 47.59 | |
| L2 | = | 54.58 | |
| L3 ¹⁾ | = | 63.55 | |

Breech

| | | | |
|----|---|-------|--|
| R | = | | |
| R1 | = | 15.03 | |
| R2 | = | | |
| R3 | = | | |
| r | = | | |

Powder Chamber

| | | | |
|------------------|---|-------|--|
| E | = | 3.10 | |
| P1 ¹⁾ | = | 14.94 | |
| P2 * | = | 14.66 | |

Junction Cone

| | | | |
|-----------------------|---|-------|--|
| alpha ¹⁾ * | = | 41° | |
| S * | = | 67.19 | |
| r1 max | = | | |
| r2 | = | 2.41 | |

Collar

| | | | |
|------------------|---|------|--|
| H1 * | = | 9.43 | |
| H2 ¹⁾ | = | 9.41 | |

Commencement of Rifling

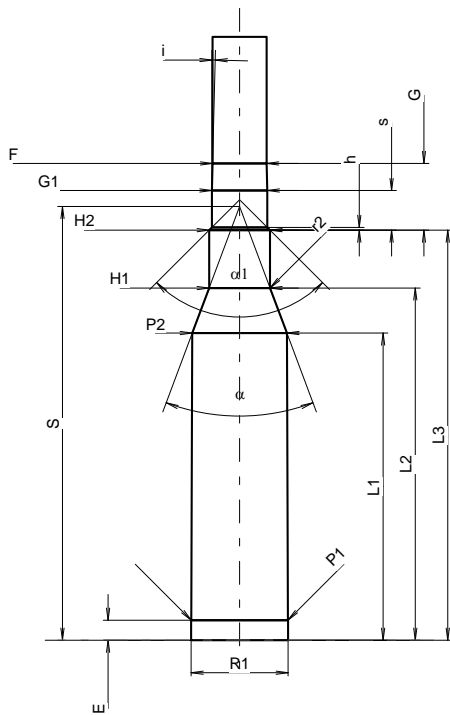
| | | | |
|--------------------|---|-------|--|
| G1 ¹⁾ * | = | 8.60 | |
| G ¹⁾ | = | 10.32 | |
| alpha l | = | 90° | |
| h | = | 0.40 | |
| s * | = | 6.12 | |
| i ¹⁾ * | = | 1°30' | |
| w | = | | |

Barrel

| | | | |
|-------------------|---|------|--|
| F ¹⁾ * | = | 8.38 | |
| Z ¹⁾ | = | 8.58 | |

Grooves

| | | | |
|---|---|--------|-----------------|
| b | = | 2.79 | |
| N | = | 6 | |
| u | = | 235.00 | |
| Q | = | 56.86 | mm ² |



Scale 1:1.17

Dimensions in << mm >>
Dimensions and Tolerances for Proof Barrels
see Appendix .

Notes: 1) Check for safety reasons
3) Headspace on Shoulder
* Basic dimensions