

C.I.P.

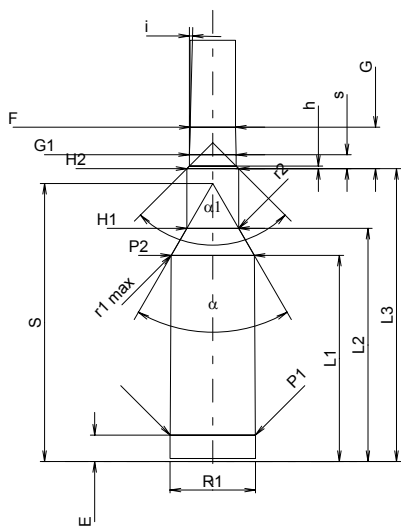
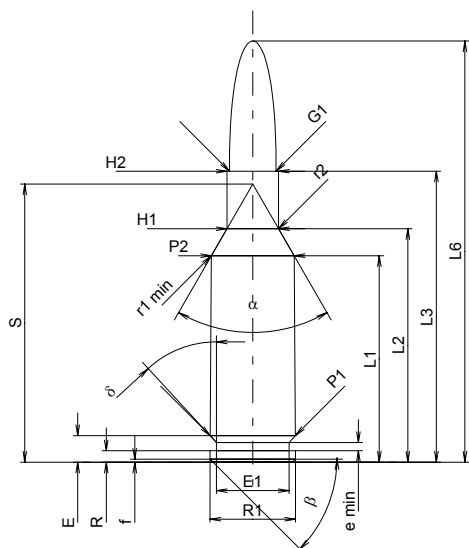
6 mm PPC-USA

Country of Origin: FI

TAB. I

Date 89-04-18

Revision 02-05-15



Scale 1:1

Dimensions in << mm >>
Dimensions and Tolerances for Proof Barrels
see Appendix CR 1.

CARTRIDGE MAXI

Lengths

L1 ¹⁾ *	=	27.30	-0.20
L2 ¹⁾ *	=	30.87	-0.20
L3 ¹⁾	=	38.48	
L4	=		
L5	=		
L6	=	55.70	

Case Head

R	=	1.50	
R1	=	11.30	
R3	=		
E	=	3.50	
E1	=	9.60	
e min	=	1.10	
delta	=	42°43'12"	
f	=	0.40	
beta	=	45°	

Powder Chamber

P1	=	11.26	
P2 ¹⁾ *	=	10.95	-0.20

Junction Cone

alpha	=	60°05'34"	
S	=	36.77	
r1 min	=	1.00	
r2	=	3.00	

Collar

H1 *	=	6.82	
H2 ¹⁾	=	6.82	

Projectile

G1 ¹⁾	=	6.17	
G2	=		
F	=		
L3+G ¹⁾	=	43.96	

Pressures (Energies)

Method Transducer

Pmax	=	4050 bar	
PK	=	4658 bar	
PE	=	5060 bar	
M	=	17.50	
EE	=	2020 Joule	

Miscellaneous Dimensions

Fe ¹⁾	=	0.10	
delta L	=		

CHAMBER MINI

Lengths

L1 *	=	27.27	
L2 *	=	30.84	
L3 ¹⁾	=	38.74	

Breech

R	=		
R1	=	11.32	
R2	=		
R3	=		
r	=		

Powder Chamber

E	=	3.50	
P1 ¹⁾	=	11.28	
P2 *	=	10.98	

Junction Cone

alpha ¹⁾	=	59°58'22"	
S	=	36.78	
r1 max	=	0.50	
r2	=	3.00	

Collar

H1 *	=	6.86	
H2 ¹⁾	=	6.85	

Commencement of Rifling

G1 ¹⁾ *	=	6.19	
G ¹⁾ *	=	5.48	
alpha1	=	90°	
h	=	0.33	
s *	=	1.85	
i ¹⁾	=	1°30'	
w	=		

Barrel

F ¹⁾ *	=	6.00	
Z ¹⁾	=	6.14	

Grooves

b	=	2.28	
N	=	6	
u	=	305.00	
Q	=	29.26	mm ²

Notes: 1) Check for safety reasons
* Basic dimensions