

C.I.P.

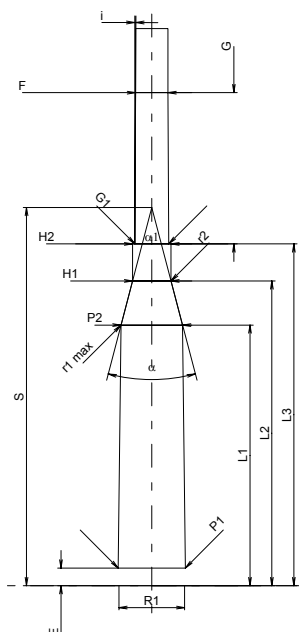
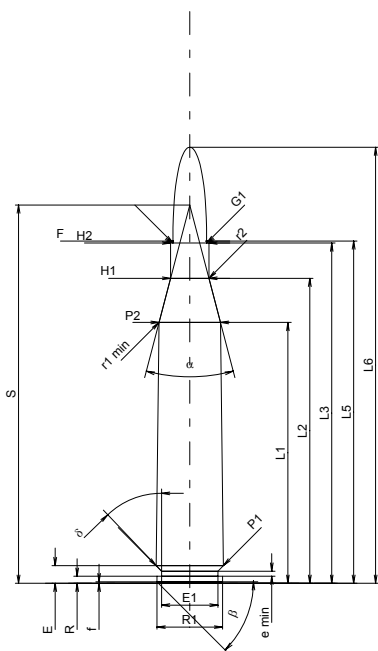
6,5 x 68

Country of Origin: DE

TAB. I

Date 84-06-14

Revision 02-05-15



Scale 1:1.5

Dimensions in << mm >>
Dimensions and Tolerances for Proof Barrels
see Appendix CR 1.

CARTRIDGE MAXI

Lengths

L1 ¹⁾ *	=	51.75	-0.20
L2 ¹⁾ *	=	60.50	-0.20
L3 ¹⁾	=	67.50	
L4	=		
L5	=	67.90	
L6	=	86.50	

Case Head

R	=	1.40	
R1	=	13.00	
R3	=		
E	=	3.50	
E1	=	11.20	
e min	=	1.00	
delta	=	43°40'12"	
f	=	0.30	
beta	=	45°	

Powder Chamber

P1	=	13.30	
P2 ¹⁾ *	=	12.18	-0.20

Junction Cone

alpha	=	29°19'56"	
S	=	75.02	
r1 min	=	0.50	
r2	=	0.50	

Collar

H1 *	=	7.60	
H2	=	7.60	

Projectile

G1 ¹⁾	=	6.70	
G2 ¹⁾	=	6.70	
F	=		
L3+G ¹⁾	=	97.50	

Pressures (Energies)

Method Transducer

Pmax	=	4400 bar	
PK	=	5060 bar	
PE	=	5500 bar	
M	=	25.00	
EE	=	4045 Joule	

Miscellaneous Dimensions

Fe ¹⁾	=	0.10	
delta L	=		

CHAMBER MINI

Lengths

L1 *	=	51.70	
L2 *	=	60.45	
L3 ¹⁾	=	67.80	

Breech

R	=	1.40	
R1	=	13.05	
R2	=		
R3	=		
r	=		

Powder Chamber

E	=	3.50	
P1 ¹⁾	=	13.33	
P2 *	=	12.21	

Junction Cone

alpha	=	29°19'55"	
S	=	75.03	
r1 max	=	0.50	
r2	=	0.50	

Collar

H1 *	=	7.63	
H2 ¹⁾	=	7.62	

Commencement of Rifling

G1 ¹⁾ *	=	6.75	
G ¹⁾ *	=	30.00	
alpha1	=	180°	
h	=		
s	=		
i ¹⁾	=	0°17'11"	
w	=		

Barrel

F ¹⁾ *	=	6.45	
Z ¹⁾	=	6.70	

Grooves

b	=	3.50	
N	=	4	
u	=	250.00	
Q	=	34.52	mm ²

Notes: 1) Check for safety reasons
* Basic dimensions