

C.I.P.

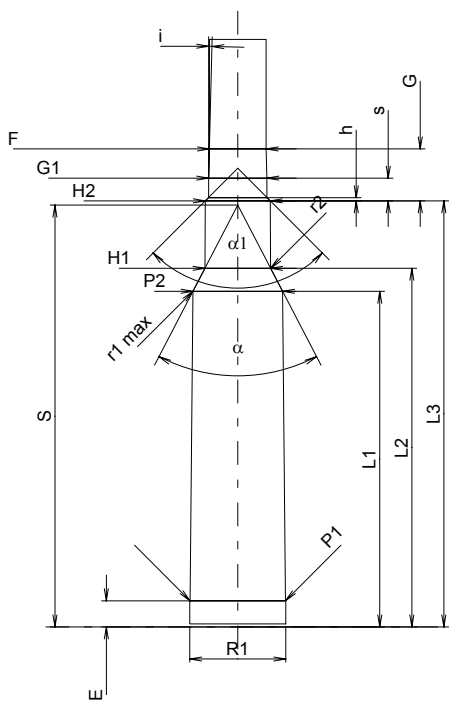
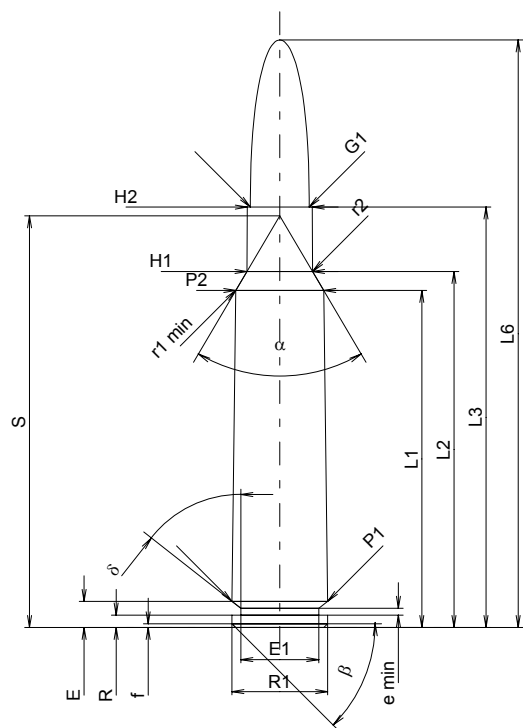
7,5 x 55 Suisse

Country of Origin: CH

TAB. I

Date 84-06-14

Revision 02-05-15



Scale 1:1

Dimensions in << mm >>
Dimensions and Tolerances for Proof Barrels
see Appendix CR 1.

CARTRIDGE MAXI

Lengths

L1 ¹⁾	=	44.58	-0.20
L2 ¹⁾	=	47.085	-0.20
L3 ¹⁾	=	55.60	
L4	=		
L5	=		
L6	=	77.70	

Case Head

R	=	1.65	
R1	=	12.65	
R3	=		
E	=	3.46	
E1	=	10.30	
e min	=	0.89	
delta	=	51°49'16"	
f	=	0.50	
beta	=	45°	

Powder Chamber

P1	=	12.64	
P2 ^{1)*}	=	11.63	-0.20

Junction Cone

alpha*	=	61°	
S*	=	54.45	
r1 min	=	2.00	
r2	=	2.00	

Collar

H1*	=	8.68	
H2 ¹⁾	=	8.58	

Projectile

G1 ¹⁾	=	7.78	
G2	=		
F	=		
L3+G ¹⁾	=	62.47	

Pressures (Energies)

Method Transducer

Pmax	=	3800 bar	
PK	=	4370 bar	
PE	=	4750 bar	
M	=	25.00	
EE	=	3965 Joule	

Miscellaneous Dimensions

Fe ¹⁾	=	0.15	
delta L	=		

CHAMBER MINI

Lengths

L1	=	44.40	
L2	=	47.43	
L3 ¹⁾	=	56.35	

Breech

R	=	1.65	
R1	=	12.72	
R2	=		
R3	=		
r	=		

Powder Chamber

E	=	3.46	
P1 ¹⁾	=	12.60	
P2*	=	11.85	

Junction Cone

alpha ^{1)*}	=	55°	
S*	=	55.78	
r1 max	=	0.50	
r2	=	2.00	

Collar

H1*	=	8.70	
H2 ¹⁾	=	8.60	

Commencement of Rifling

G1 ^{1)*}	=	7.70	
G ¹⁾	=	6.87	
alpha1*	=	90°	
h	=	0.41	
s	=	3.00	
i ^{1)*}	=	2°	
w	=		

Barrel

F ^{1)*}	=	7.51	
Z ¹⁾	=	7.77	

Grooves

b	=	3.75	
N	=	4	
u	=	270.00	
Q	=	46.33	mm ²

Notes: 1) Check for safety reasons
* Basic dimensions