

C.I.P.

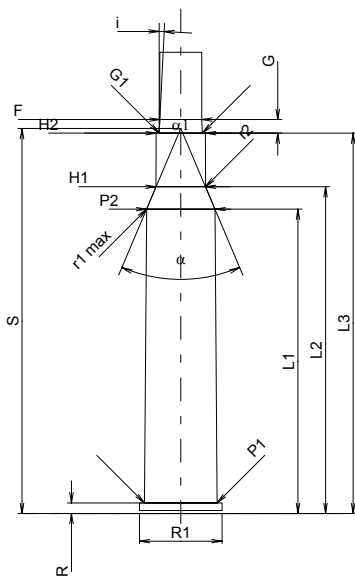
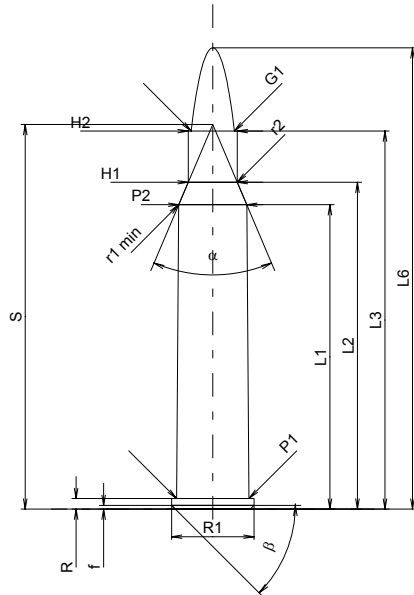
5,6 x 50 R Mag.

Country of Origin: DE

TAB. II

Date 98-02-20

Revision 02-05-15



CARTRIDGE MAXI

Lengths

L1 [*]	=	40.26
L2 [*]	=	43.23
L3 ¹⁾	=	50.00
L4	=	
L5	=	
L6	=	61.00

Case Head

R ¹⁾	=	1.40	-0.25
R1	=	10.90	
R3	=		
E	=		
E1	=		
e min	=		
δ	=		
f	=	0.50	
β	=	45°	

Powder Chamber

P1	=	9.59
P2 [*]	=	9.00

Junction Cone

α	=	45°58'38"
S	=	50.87
r1 min	=	0.50
r2	=	0.50

Collar

H1 [*]	=	6.48
H2 ¹⁾	=	6.48

Projectile

G1 ¹⁾	=	5.70
G2	=	
F	=	
L3+G ¹⁾	=	51.80

Pressures (Energies)

Method Transducer

Pmax	=	3400 bar
PK	=	3910 bar
PE	=	4250 bar
M	=	25.00
EE	=	1950 Joule

Miscellaneous Dimensions

Fe ¹⁾	=	0.15
delta L	=	

CHAMBER MINI

Lengths

L1 [*]	=	40.26
L2 [*]	=	43.21
L3 ¹⁾	=	50.30

Breech

R ¹⁾	=	1.40
R1	=	10.93
R2	=	
R3	=	
r	=	

Powder Chamber

E	=	
P1 ¹⁾	=	9.62
P2 [*]	=	9.03

Junction Cone

α	=	45°55'40"
S	=	50.92
r1 max	=	0.50
r2	=	0.50

Collar

H1 [*]	=	6.53
H2 ¹⁾	=	6.51

Commencement of Rifling

G1 ¹⁾ *	=	5.74
G ¹⁾ *	=	1.80
α1	=	180°
h	=	
s	=	
i ¹⁾	=	2°51'45"
w	=	

Barrel

F ¹⁾ *	=	5.56
Z ¹⁾	=	5.69

Grooves

b	=	2.00
N	=	6
u	=	350.00
Q	=	25.08 mm ²

Scale 1:1

Dimensions in << mm >>
Dimensions and Tolerances for Proof Barrels
see Appendix CR 1.

Notes: 1) Check for safety reasons
* Basic dimensions