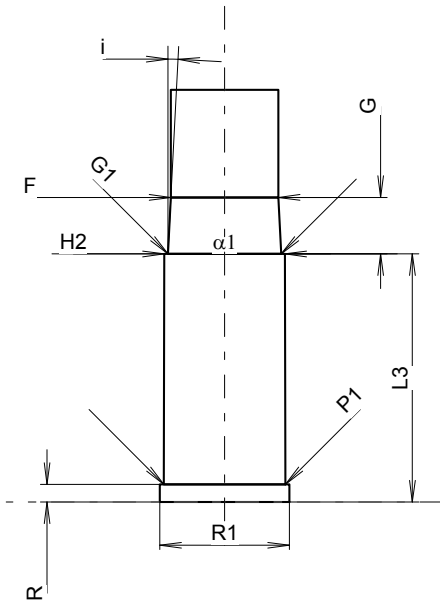
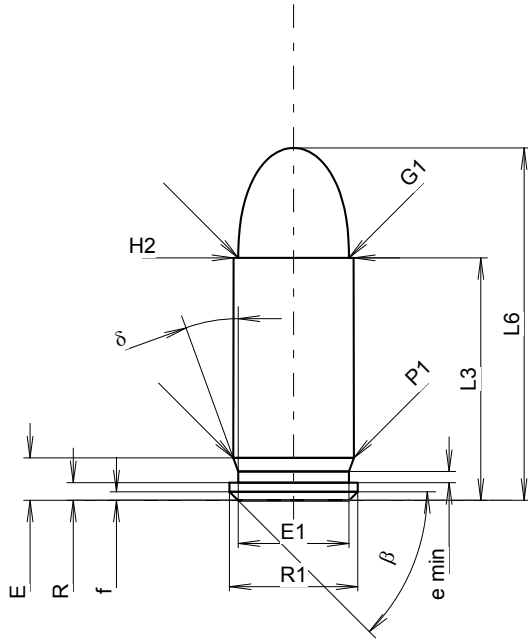


C.I.P.**7,65 mm Browning**

Country of Origin: BE

TAB. IV**Date 84-06-14****Revision 08-09-23**

Alternative Names: 32 Auto(matic), 32 ACP



Scale 1.86:1

CARTRIDGE MAXI**Lengths**

L1	=	
L2	=	
L3 ¹⁾	=	17.20
L4	=	
L5	=	
L6	=	25.00

Case Head

R ¹⁾	=	1.25	-0.25
R1	=	9.10	
R3	=		
E	=	3.01	
E1	=	7.85	
e min	=	0.80	
delta	=	20°	
f	=	0.60	
beta	=	45°	

Powder Chamber

P1	=	8.55
P2	=	

Junction Cone

alpha	=	
S	=	
r1 min	=	
r2	=	

Collar

H1	=	
H2 ¹⁾	=	8.52

Projectile

G1 ¹⁾	=	7.85
G2	=	
F	=	
L3+G ¹⁾	=	21.21

Pressures (Energies)**Method Transducer**

Pmax	=	1600 bar
PK	=	1840 bar
PE	=	2080 bar
M	=	10.50

Miscellaneous Dimensions

Fe ¹⁾⁴⁾	=	0.30
delta L	=	

CHAMBER MINI**Lengths**

L1	=	
L2	=	
L3 ¹⁾	=	17.60

Breech

R ¹⁾	=	1.25
R1	=	9.20
R2	=	
R3	=	
r	=	

Powder Chamber

E	=	
P1 ¹⁾	=	8.62
P2	=	

Junction Cone

alpha	=	
S	=	
r1 max	=	
r2	=	

Collar

H1	=	
H2 ¹⁾	=	8.55

Commencement of Rifling

G1 ¹⁾ *	=	8.05
G ¹⁾ *	=	4.01
alpha1	=	180°
h	=	
s	=	
i ¹⁾	=	2°59'52"
w	=	

Barrel

F ¹⁾ *	=	7.63
Z ¹⁾	=	7.83

Grooves

b	=	2.69
N	=	6
u	=	250.00
Q	=	47.37 mm ²

Dimensions in << mm >>
 Dimensions and Tolerances for Proof Barrels
 see Appendix CR 1.

Notes: 1) Check for safety reasons
 4) Headspace on Rim
 * Basic dimensions