

C.I.P.

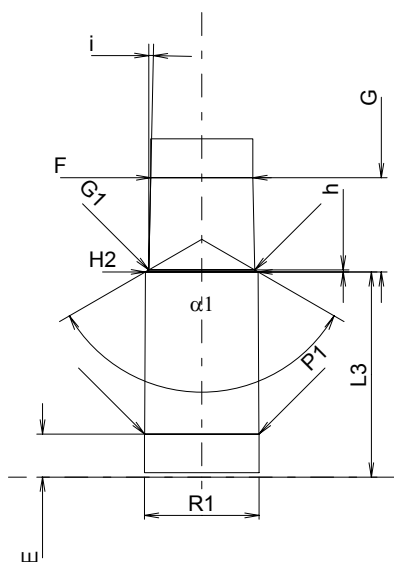
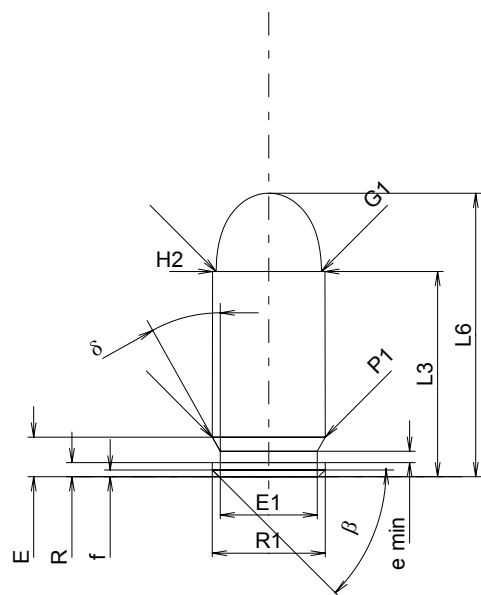
9 mm Makarov

Country of Origin: SU

TAB. IV

Date 91-09-20

Revision 00-06-07



Scale 1.5:1

Dimensions in << mm >>
Dimensions and Tolerances for Proof Barrels
see Appendix CR 1.

CARTRIDGE MAXI

Lengths

L1	=		
L2	=		
L3 ¹⁾	=	18.10	-0.25
L4	=		
L5	=		
L6	=	25.00	

Case Head

R	=	1.25	
R1	=	9.95	
R3	=		
E	=	3.50	
E1	=	8.55	
e min	=	1.00	
δ	=	29°15'	
f	=	0.60	
β	=	45°	

Powder Chamber

P1	=	9.95	
P2	=		

Junction Cone

α	=		
S	=		
r1 min	=		
r2	=		

Collar

H1	=		
H2 ¹⁾	=	9.91	

Projectile

G1 ¹⁾	=	9.27	
G2	=		
F	=		
L3+G ¹⁾	=	26.40	

Pressures (Energies)

Method Transducer

Pmax	=	1600	bar
PK	=	1840	bar
PE	=	2080	bar
M	=	10.50	

Miscellaneous Dimensions

Fe ¹⁾	=	0.30	
delta L	=		

CHAMBER MINI

Lengths

L1	=		
L2	=		
L3 ¹⁾	=	18.10	

Breech

R	=		
R1	=	10.10	
R2	=		
R3	=		
r	=		

Powder Chamber

E	=	3.80	
P1 ¹⁾	=	10.07	
P2	=		

Junction Cone

α	=		
S	=		
r1 max	=		
r2	=		

Collar

H1	=		
H2 ¹⁾	=	9.93	

Commencement of Rifling

G1 ^{1)*}	=	9.35	
G ^{1)*}	=	8.30	
α1	=	120°	
h*	=	0.17	
s	=		
j ¹⁾	=	1°13'59"	
w	=		

Barrel

F ^{1)*}	=	9.00	
Z ¹⁾	=	9.27	

Grooves

b	=	4.50	
N	=	4	
u	=	240.00	
Q	=	66.16	mm ²

Notes: 1) Check for safety reasons
* Basic dimensions