

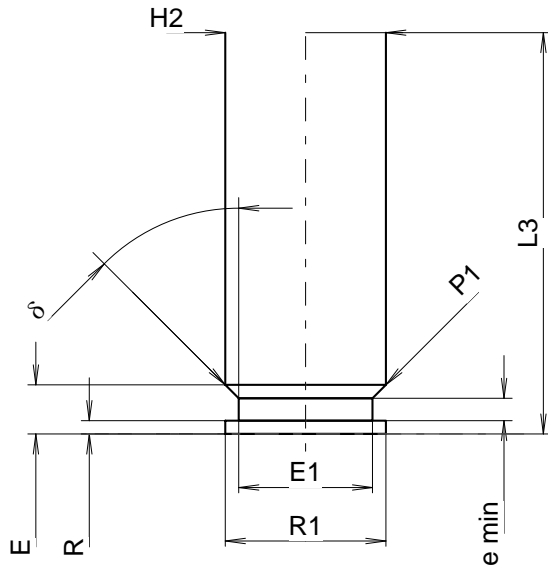
**C.I.P.****18 x 45**

TAB. X

Date 09-05-05

Country of Origin: RU

Revision

**CARTRIDGE MAXI****Lengths**

L1	=	
L2	=	
L3 <sup>1)</sup>	=	45.00
L4	=	
L5	=	
L6	=	

**Case Head**

R	=	1.50
R1	=	18.00
R3	=	
E	=	5.50
E1	=	15.00
e min	=	2.50
$\delta$	=	45°
f	=	
$\beta$	=	

**Powder Chamber**

P1 <sup>1)</sup>	=	18.00
P2	=	

**Junction Cone**

$\alpha$	=	
S	=	
r1 min	=	
r2	=	

**Collar**

H1	=	
H2 <sup>1)</sup>	=	18.00

**Projectile**

G1	=	
G2	=	
F	=	
L3+G	=	

**Pressures (Energies)****Energy**

E <sub>max</sub>	=	79.0 Joule
E <sub>K</sub>	=	85.0 Joule
E <sub>E</sub>	=	87.0 Joule

**Miscellaneous Dimensions**

Fe	=	
delta L	=	

**CHAMBER MINI****Lengths**

L1	=	
L2	=	
L3 <sup>2)</sup>	=	45.00 +0.39

**Breech**

R	=	
R1	=	18.00
R2	=	
R3	=	
r	=	

**Powder Chamber**

E	=	
P1	=	18.00
P2	=	

**Junction Cone**

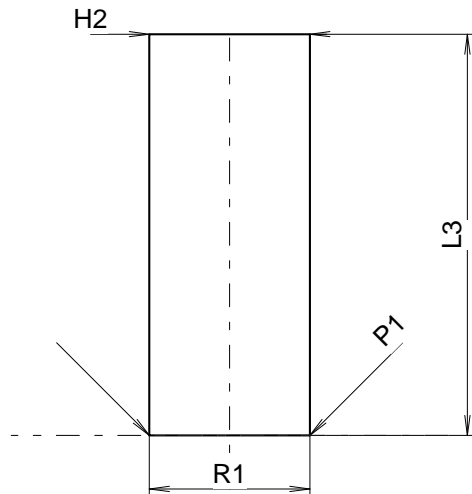
$\alpha$	=	
S	=	
r1 max	=	
r2	=	

**Collar**

H1	=	
H2 <sup>2)</sup>	=	18.00 +0.18

**Commencement of Rifling**

G1	=	
G	=	
$\alpha$ 1	=	
h	=	
s	=	
i	=	
w	=	
<b>Barrel</b>		
F	=	
Z	=	
<b>Grooves</b>		
b	=	
N	=	
u	=	
Q	=	mm <sup>2</sup>



Scale 1.18:1

Dimensions in << mm >>  
 Dimensions and Tolerances for Proof Barrels  
 see Appendix .

Notes: 1) Check for safety reasons  
 2) Valid only for Proof barrels