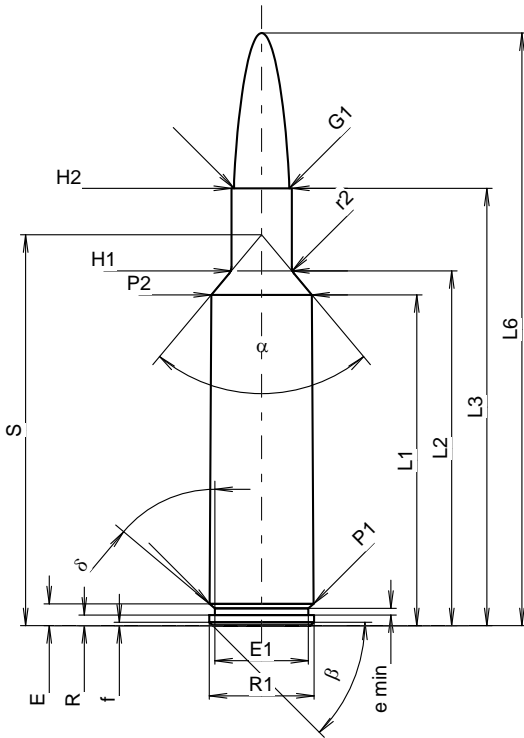


C.I.P.

300 Blacktornado

Country of Origin: IT

TAB.	I
Date	15-05-19
Revision	16-05-18



CARTRIDGE MAXI

Lengths

L1 ¹⁾	=	46.90	-0.20
L2 ¹⁾	=	50.30	-0.20
L3 ¹⁾	=	62.00	
L4	=		
L5	=		
L6	=	84.00	

Case Head

R	=	1.52	
R1	=	14.85	
R3	=		
E	=	3.10	
E1	=	13.24	
e min	=	0.95	
delta	=	50°	
f	=	0.50	
beta	=	45°	

Powder Chamber

P1	=	14.74	
P2 ¹⁾ *	=	14.26	-0.20

Junction Cone

alpha *	=	80°	
S *	=	55.41	
r1 min	=		
r2	=	1.52	

Collar

H1 *	=	8.56	
H2 ¹⁾	=	8.56	

Projectile

G1	=	7.83	
G2	=		
F	=		
L3+G ¹⁾	=	68.11	

Pressures (Energies)

Method Transducer

Pmax	=	4400 bar	
PK	=	5060 bar	
PE	=	5500 bar	
M	=	25.00	
EE	=	5220 Joule	

Miscellaneous Dimensions

Fe ¹⁾³⁾	=	0.10	
delta L	=		

CHAMBER MINI

Lengths

L1	=	46.99	
L2	=	50.38	
L3 ¹⁾	=	62.23	

Breech

R	=		
R1	=	14.90	
R2	=		
R3	=		
r	=		

Powder Chamber

E	=	3.15	
P1 ¹⁾	=	14.86	
P2 *	=	14.30	

Junction Cone

alpha ¹⁾ *	=	80°	
S *	=	55.51	
r1 max	=		
r2	=	1.52	

Collar

H1 *	=	8.61	
H2 ¹⁾	=	8.61	

Commencement of Rifling

G1 ¹⁾ *	=	7.84	
G ¹⁾	=	6.11	
alpha l	=	90°	
h	=	0.39	
s *	=	1.91	
i ¹⁾ *	=	1°30'	
w	=		

Barrel

F ¹⁾ *	=	7.62	
Z ¹⁾	=	7.82	

Grooves

b	=	4.47	
N	=	4	
u	=	229.00	
Q	=	47.51	mm ²

Scale 1:1.07

Dimensions in << mm >>
Dimensions and Tolerances for Proof Barrels
see Appendix CR1.

Notes: 1) Check for safety reasons
3) Headspace on Shoulder
* Basic dimensions