

C.I.P.**416 Barrett**

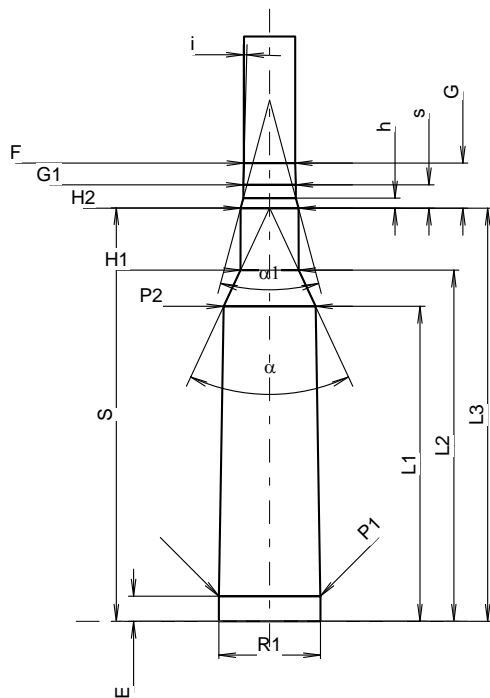
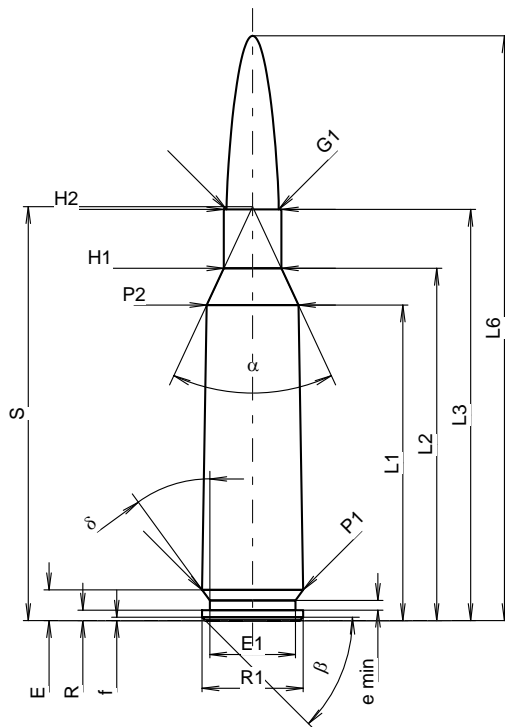
Country of Origin: US

TAB. I

Date 16-05-18

Revision

Alternative Names: 10,4 x 83



Scale 1:1.53

Dimensions in << mm >>
Dimensions and Tolerances for Proof Barrels
see Appendix CR1.

CARTRIDGE MAXI**Lengths**

L1 ¹⁾	=	63.74	-0.20
L2 ¹⁾	=	71.15	-0.20
L3 ¹⁾	=	83.06	
L4	=		
L5	=		
L6	=	118.11	

Case Head

R	=	2.11	
R1	=	20.42	
R3	=		
E	=	6.22	
E1	=	17.27	
e min	=	1.96	
delta	=	36°	
f	=	0.69	
beta	=	45°	

Powder Chamber

P1	=	20.40	
P2 ¹⁾ *	=	18.54	-0.20

Junction Cone

alpha [*]	=	50°	
S [*]	=	83.62	
r1 min	=		
r2	=		

Collar

H1 [*]	=	11.63	
H2 ¹⁾	=	11.63	

Projectile

G1 ¹⁾	=	10.57	
G2	=		
F	=		
L3+G ¹⁾	=	92.15	

Pressures (Energies)**Method Transducer**

Pmax	=	4400 bar	
PK	=	5060 bar	
PE	=	5500 bar	
M	=	25.00	
EE	=	14250 Joule	

Miscellaneous Dimensions

Fe ¹⁾³⁾	=	0.10	
delta L	=	0.10	

Notes: 1) Check for safety reasons
3) Headspace on Shoulder
* Basic dimensions

CHAMBER MINI**Lengths**

L1	=	63.61	
L2	=	70.94	
L3 ¹⁾	=	83.44	

Breech

R	=		
R1	=	20.52	
R2	=		
R3	=		
r	=		

Powder Chamber

E	=	5.08	
P1 ¹⁾	=	20.45	
P2 [*]	=	18.57	

Junction Cone

alpha ^{1)*)}	=	50°	
S [*]	=	83.52	
r1 max	=		
r2	=		

Collar

H1 [*]	=	11.73	
H2 ¹⁾	=	11.68	

Commencement of Rifling

G1 ^{1)*)}	=	10.59	
G ¹⁾	=	9.09	
alpha l	=	30°	
h	=	2.03	
s [*]	=	4.70	
i ^{1)*)}	=	1°30'	
w	=		

Barrel

F ^{1)*)}	=	10.36	
Z ¹⁾	=	10.57	

Grooves

b	=	4.11	
N	=	6	
u	=	304.80	
Q	=	86.96	mm ²