

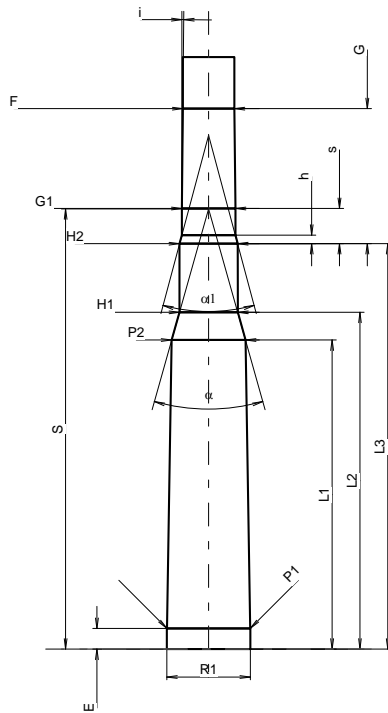
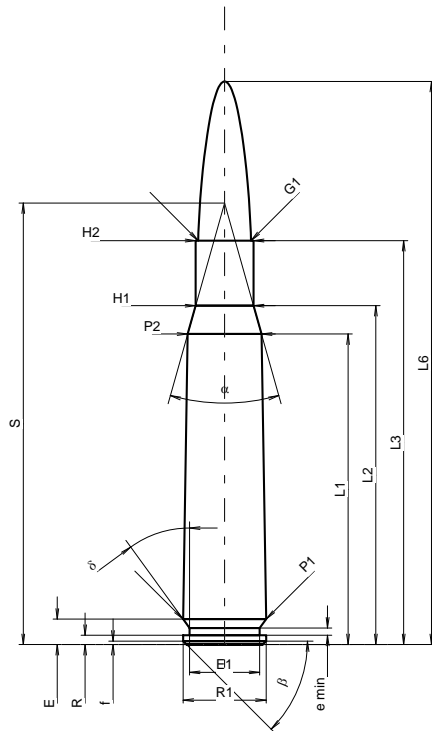
C.I.P.

50 Browning

Ursprungsland: US

TAB.	I
Datum	95-05-31
Revision	10-05-26

Alternative Namen: 12,7 x 99



Maßstab 1:1.86

Maße in << mm >>
Maße und Toleranzen für Messläufe
siehe Anhang CR 1.

PATRONE MAXI**Längen**

L1 ¹⁾	=	76.34	-0.20
L2 ¹⁾	=	83.30	-0.20
L3 ¹⁾	=	99.31	
L4	=		
L5	=		
L6	=	138.43	

Hülsenboden

R	=	2.26	
R1	=	20.42	
R3	=		
E	=	6.23	
E1	=	17.27	
e min	=	1.80	
delta	=	36°	
f	=	0.84	
beta	=	45°	

Pulverkammer

P1	=	20.42	
P2 ¹⁾ *	=	18.14	-0.20

Schulterkonus

alpha [*]	=	31°28'	
S [*]	=	108.54	
r1 min	=		
r2	=		

Hülsenhals

H1 [*]	=	14.22	
H2 ¹⁾	=	14.22	

Geschoss

G1 ¹⁾ *	=	12.98	
G2	=		
F	=		
L3+G ¹⁾	=	132.50	

Drücke (Energien)**Mech. elektr. Wandler**

Pmax	=	3700 bar	
PK	=	4255 bar	
PE	=	4625 bar	
M	=	25.00	
EE	=	15000 Joule	

Verschiedene Daten

Fe ¹⁾³⁾	=	0.15	
delta L	=	0.28	

PATRONENLAGER MINI**Längen**

L1	=	76.02	
L2	=	82.82	
L3 ¹⁾	=	99.70	

Stoßboden

R	=		
R1	=	20.52	
R2	=		
R3	=		
r	=		

Pulverkammer

E	=	5.08	
P1 ¹⁾	=	20.45	
P2 [*]	=	18.16	

Schulterkonus

alpha ¹⁾ *	=	31°28'	
S [*]	=	108.25	
r1 max	=		
r2	=		

Hülsenhals

H1 [*]	=	14.33	
H2 ¹⁾	=	14.28	

Geschossübergang

G1 ¹⁾ *	=	13.16	
G ¹⁾	=	33.19	
alpha1	=	30°	
h	=	2.09	
s	=	8.64	
i ¹⁾ *	=	0°34'59"	
w	=		

Lauf

F ¹⁾ *	=	12.66	
Z ¹⁾	=	12.93	

Züge

b	=	3.43	
N	=	8	
u	=	381.00	
Q	=	129.63	mm ²

Bemerkungen: 1) Kontrolle aus Sicherheitsgründen
3) Verschlussabstand an Schulter
* Grundmaße