

C.I.P.

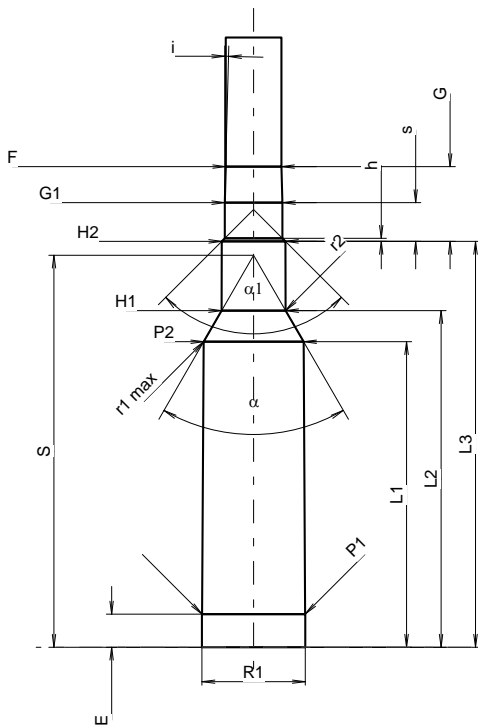
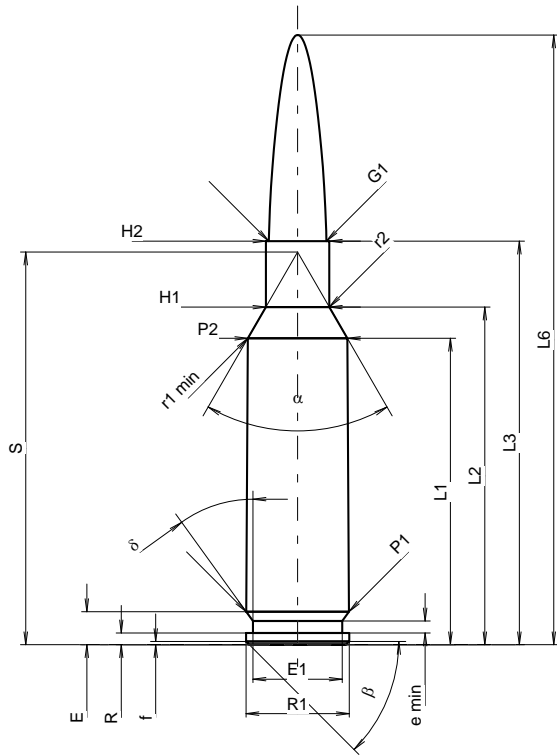
6,5 x 47 Lapua

Country of Origin: FI

TAB. I

Date 06-05-16

Revision 14-05-20



Scale 1.14:1

Dimensions in << mm >>
Dimensions and Tolerances for Proof Barrels
see Appendix CR 1.

CARTRIDGE MAXI

Lengths

L1 ¹⁾	=	35.68	-0.20
L2 ¹⁾	=	39.31	-0.20
L3 ¹⁾	=	47.00	
L4	=		
L5	=		
L6	=	71.00	

Case Head

R	=	1.37	
R1	=	12.01	
R3	=		
E	=	3.85	
E1	=	10.39	
e min	=	1.40	
delta	=	36°	
f	=	0.38	
beta	=	45°	

Powder Chamber

P1	=	11.95	
P2 ¹⁾ *	=	11.59	-0.20

Junction Cone

alpha *	=	60°	
S *	=	45.72	
r1 min	=	1.00	
r2	=	1.50	

Collar

H1 *	=	7.40	
H2 ¹⁾	=	7.40	

Projectile

G1 ¹⁾ *	=	6.71	
G2	=		
F	=		
L3+G ¹⁾	=	55.70	

Pressures (Energies)

Method Transducer

Pmax	=	4350 bar	
PK	=	5003 bar	
PE	=	5438 bar	
M	=	25.00	
EE	=	3300 Joule	

Miscellaneous Dimensions

Fe ¹⁾³⁾	=	0.10	
delta L	=	0.08	

Notes: 1) Check for safety reasons
3) Headspace on Shoulder
* Basic dimensions

CHAMBER MINI

Lengths

L1	=	35.57	
L2	=	39.19	
L3 ¹⁾	=	47.26	

Breech

R	=		
R1	=	12.04	
R2	=		
R3	=		
r	=		

Powder Chamber

E	=	3.85	
P1 ¹⁾	=	11.99	
P2 *	=	11.63	

Junction Cone

alpha ¹⁾ *	=	60°	
S *	=	45.64	
r1 max	=	0.75	
r2	=	1.75	

Collar

H1 *	=	7.45	
H2 ¹⁾	=	7.42	

Commencement of Rifling

G1 ¹⁾ *	=	6.72	
G	=	8.70	
alpha l	=	90°	
h	=	0.35	
s *	=	4.50	
i ¹⁾ *	=	1°30'	
w	=		

Barrel

F ¹⁾ *	=	6.50	
Z ¹⁾	=	6.70	

Grooves

b	=	2.29	
N	=	6	
u	=	200.00	
Q	=	34.59	mm ²