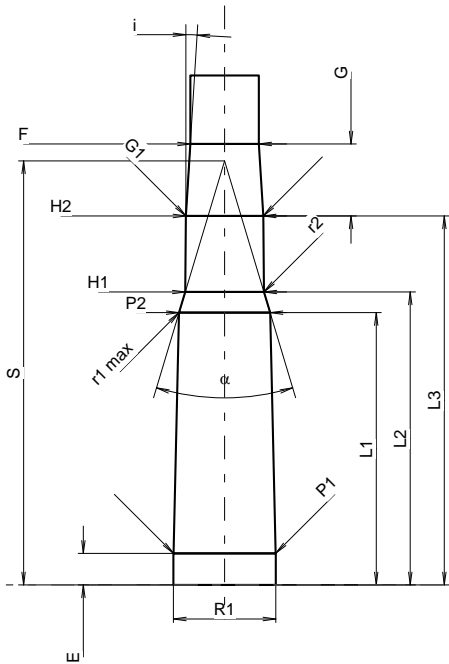
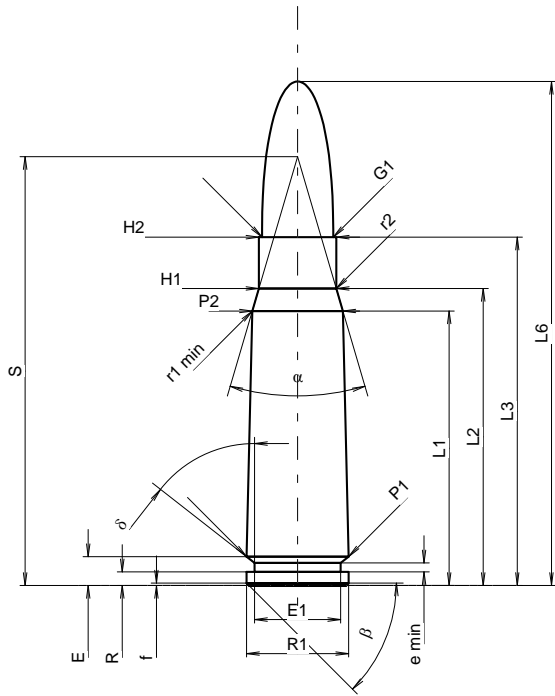


C.I.P.

7,62 x 39

Country of Origin: SU

TAB.	I
Date	89-01-04
Revision	13-05-22



Scale 1.19:1

CARTRIDGE MAXI

Lengths

L1 ¹⁾ *	=	30.50	-0.20
L2 ¹⁾ *	=	33.00	-0.20
L3 ¹⁾	=	38.70	
L4	=		
L5	=		
L6	=	56.00	

Case Head

R	=	1.50	
R1	=	11.35	
R3	=		
E	=	3.20	
E1	=	9.56	
e min	=	1.00	
delta	=	51°58'12"	
f	=	0.25	
beta	=	45°	

Powder Chamber

P1	=	11.35	
P2 ¹⁾ *	=	10.07	-0.20

Junction Cone

alpha	=	32°46'	
S	=	47.63	
r1 min	=	4.00	
r2	=	3.00	

Collar

H1 *	=	8.60	
H2 ¹⁾	=	8.60	

Projectile

G1 ¹⁾	=	7.92	
G2	=		
F	=		
L3+G ¹⁾	=	46.70	

Pressures (Energies)

Method Transducer

Pmax	=	3550 bar	
PK	=	4083 bar	
PE	=	4440 bar	
M	=	25.00	
EE	=	2510 Joule	

Miscellaneous Dimensions

Fe ¹⁾³⁾	=	0.15	
delta L	=	0.20	

CHAMBER MINI

Lengths

L1 *	=	30.25	
L2 *	=	32.55	
L3 ¹⁾	=	41.00	

Breech

R	=	1.50	
R1	=	11.37	
R2	=		
R3	=		
r	=		

Powder Chamber

E	=	3.50	
P1 ¹⁾	=	11.36	
P2 *	=	10.12	

Junction Cone

alpha ¹⁾	=	33°23'54"	
S	=	47.12	
r1 max	=	0.50	
r2	=	3.00	

Collar

H1 *	=	8.74	
H2 ¹⁾	=	8.60	

Commencement of Rifling

G1 ¹⁾ *	=	8.60	
G ¹⁾ *	=	8.00	
alpha l	=		
h	=		
s	=		
i ¹⁾	=	3°30'18"	
w	=		

Barrel

F ¹⁾ *	=	7.62	
Z ¹⁾	=	7.92	

Grooves

b	=	3.81	
N	=	4	
u	=	240.00	
Q	=	47.99	mm ²

Notes: 1) Check for safety reasons
3) Headspace on Shoulder
* Basic dimensions

Dimensions in << mm >>
Dimensions and Tolerances for Proof Barrels
see Appendix CR 1.