

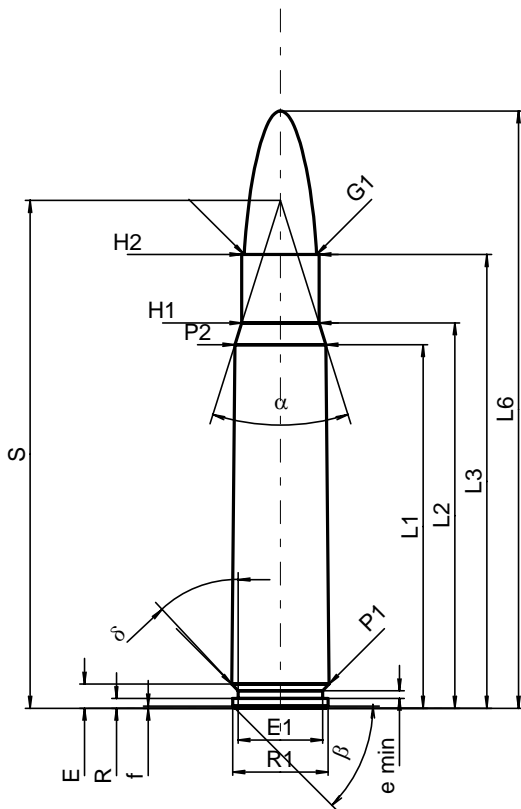
C.I.P.**376 Steyr**

Ursprungsland: AT

TAB. I

Datum 99-01-20

Revision 02-05-15

**PATRONE MAXI****Längen**

L1 ^{1)*}	=	48.09	-0.20
L2 ^{1)*}	=	50.97	-0.20
L3 ¹⁾	=	60.00	
L4	=		
L5	=		
L6	=	79.00	

Hülsenboden

R	=	1.30	
R1	=	12.60	
R3	=		
E	=	3.20	
E1	=	11.20	
e min	=	1.00	
delta	=	43°	
f	=	0.30	
beta	=	45°	

Pulverkammer

P1	=	12.88	
P2 ^{1)*}	=	12.05	-0.20

Schulterkonus

alpha	=	35°04'13"	
S	=	67.16	
r1 min	=		
r2	=		

Hülsenhals

H1*	=	10.23	
H2 ¹⁾	=	10.23	

Geschoss

G1 ¹⁾	=	9.55	
G2	=		
F	=		
L3+G ¹⁾	=	76.28	

Drücke (Energien)**Mech. elektr. Wandler**

Pmax	=	4300 bar	
PK	=	4945 bar	
PE	=	5375 bar	
M	=	25.00	
EE	=	5200 Joule	

Verschiedene Daten

Fe ¹⁾	=	0.10	
delta L	=		

PATRONENLAGER MINI**Längen**

L1*	=	48.04	
L2*	=	50.88	
L3 ¹⁾	=	60.30	

Stoßboden

R	=	1.30	
R1	=	12.65	
R2	=		
R3	=		
r	=		

Pulverkammer

E	=	3.20	
P1 ¹⁾	=	12.91	
P2*	=	12.08	

Schulterkonus

alpha ¹⁾	=	34°59'01"	
S	=	67.21	
r1 max	=	0.50	
r2	=	0.50	

Hülsenhals

H1*	=	10.29	
H2 ¹⁾	=	10.26	

Geschossübergang

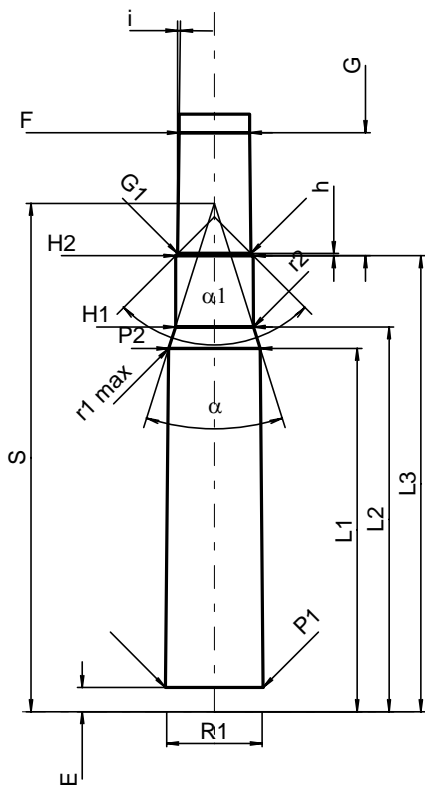
G1 ^{1)*}	=	9.70	
G ^{1)*}	=	16.28	
alpha1	=	90°	
h*	=	0.28	
s	=		
i ¹⁾	=	0°42'58"	
w	=		

Lauf

F ^{1)*}	=	9.30	
Z ¹⁾	=	9.55	

Züge

b	=	2.92	
N	=	6	
u	=	305.00	
Q	=	70.16	mm ²



Maßstab 1:1

Maße in << mm >>
Maße und Toleranzen für Messläufe
siehe Anhang CR 1.

Bemerkungen: 1) Kontrolle aus Sicherheitsgründen
* Grundmaße