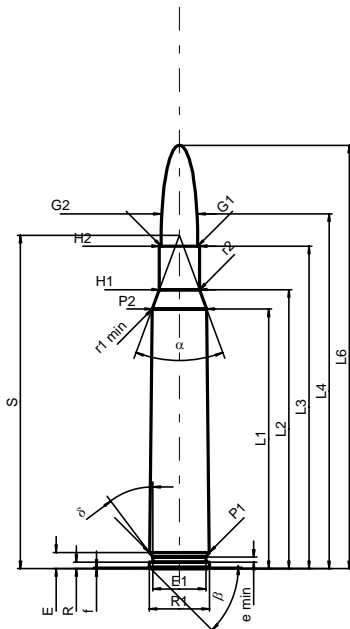


C.I.P.**7 x 64****TAB. I****Datum 84-06-14**

Ursprungsland: DE

Revision 02-05-15**PATRONE MAXI****Längen**

L1 ^{1)*}	=	51.50	-0.20
L2 ^{1)*}	=	55.37	-0.20
L3 ¹⁾	=	64.00	
L4	=	70.40	
L5	=		
L6	=	84.00	

Hülsenboden

R	=	1.30	
R1	=	11.95	
R3	=		
E	=	3.20	
E1	=	10.50	
e min	=	1.00	
delta	=	36°52'12"	
f	=	0.30	
beta	=	45°	

Pulverkammer

P1	=	11.85	
P2 ^{1)*}	=	10.80	-0.20

Schulterkonus

alpha	=	40°25'44"	
S	=	66.17	
r1 min	=	0.50	
r2	=	0.50	

Hülsenhals

H1*	=	7.95	
H2 ¹⁾	=	7.95	

Geschoss

G1 ¹⁾	=	7.25	
G2	=	7.25	
F	=		
L3+G ¹⁾	=	98.00	

Drücke (Energien)**Mech. elektr. Wandler**

Pmax	=	4150 bar	
PK	=	4773 bar	
PE	=	5190 bar	
M	=	25.00	
EE	=	4270 Joule	

Verschiedene Daten

Fe ¹⁾	=	0.10	
delta L	=		

PATRONENLAGER MINI**Längen**

L1*	=	51.46	
L2*	=	55.32	
L3 ¹⁾	=	64.30	

Stoßboden

R	=	1.30	
R1	=	12.00	
R2	=		
R3	=		
r	=		

Pulverkammer

E	=	3.20	
P1 ¹⁾	=	11.88	
P2*	=	10.83	

Schulterkonus

alpha ¹⁾	=	40°31'32"	
S	=	66.13	
r1 max	=	0.50	
r2	=	0.50	

Hülsenhals

H1*	=	7.98	
H2 ¹⁾	=	7.97	

Geschossübergang

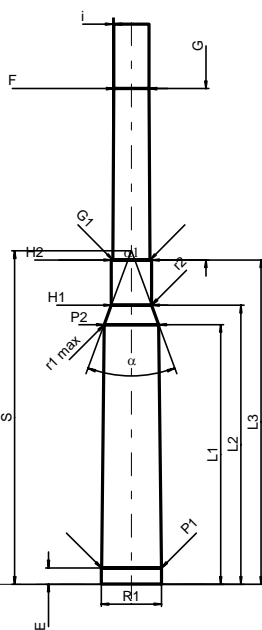
G1 ^{1)*}	=	7.32	
G ^{1)*}	=	34.00	
alpha1	=	180°	
h	=		
s	=		
i ¹⁾	=	0°17'11"	
w	=		

Lauf

F ^{1)*}	=	6.98	
Z ¹⁾	=	7.24	

Züge

b	=	3.70	
N	=	4	
u	=	220.00	
Q	=	40.29	mm ²



Maßstab 1:1.5

Maße in << mm >>
Maße und Toleranzen für Messläufe
siehe Anhang CR 1.

Bemerkungen: 1) Kontrolle aus Sicherheitsgründen
* Grundmaße