

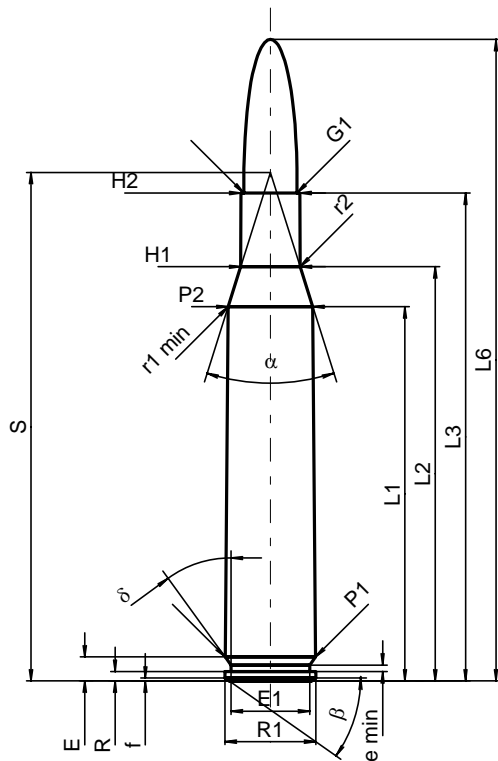
C.I.P.**270 Win.**

TAB. I

Datum 84-06-14

Revision 02-05-15

Ursprungsland: US

**PATRONE MAXI****Längen**

L1 ¹⁾	=	49.49	-0.20
L2 ¹⁾	=	54.77	-0.20
L3 ¹⁾	=	64.52	
L4	=		
L5	=		
L6	=	84.84	

Hülsenboden

R	=	1.24	
R1	=	12.01	
R3	=		
E	=	3.16	
E1	=	10.39	
e min	=	0.84	
delta	=	36°	
f	=	0.38	
beta	=	35°	

Pulverkammer

P1	=	11.96	
P2 ^{1)*}	=	11.20	-0.20

Schulterkonus

alpha*	=	35°	
S*	=	67.25	
r1 min	=	0.76	
r2	=	3.81	

Hülsenhals

H1*	=	7.87	
H2 ¹⁾	=	7.82	

Geschoss

G1 ¹⁾	=	7.06	
G2	=		
F	=		
L3+G ¹⁾	=	72.61	

Drücke (Energien)**Mech. elektr. Wandler**

Pmax	=	4300 bar	
PK	=	4945 bar	
PE	=	5375 bar	
M	=	25.00	
EE	=	3840 Joule	

Verschiedene Daten

Fe ¹⁾	=	0.10	
delta L	=	0.15	

PATRONENLAGER MINI**Längen**

L1	=	49.28	
L2	=	54.68	
L3 ¹⁾	=	65.02	

Stoßboden

R	=		
R1	=	12.04	
R2	=		
R3	=		
r	=		

Pulverkammer

E	=	3.16	
P1 ¹⁾	=	11.99	
P2*	=	11.24	

Schulterkonus

alpha ^{1)*}	=	34°30'	
S*	=	67.38	
r1 max	=	0.76	
r2	=	3.81	

Hülsenhals

H1*	=	7.89	
H2 ¹⁾	=	7.84	

Geschossübergang

G1 ^{1)*}	=	7.07	
G ¹⁾	=	8.09	
alpha*	=	74°40'12"	
h	=	0.50	
s	=		
i ^{1)*}	=	0°47'33"	
w	=		

Lauf

F ^{1)*}	=	6.86	
Z ¹⁾	=	7.04	

Züge

b	=	4.06	
N	=	4	
u	=	254.00	
Q	=	38.52	mm ²

Maßstab 1:1

Maße in << mm >>
Maße und Toleranzen für Messläufe
siehe Anhang CR 1.

Bemerkungen: 1) Kontrolle aus Sicherheitsgründen
* Grundmaße