

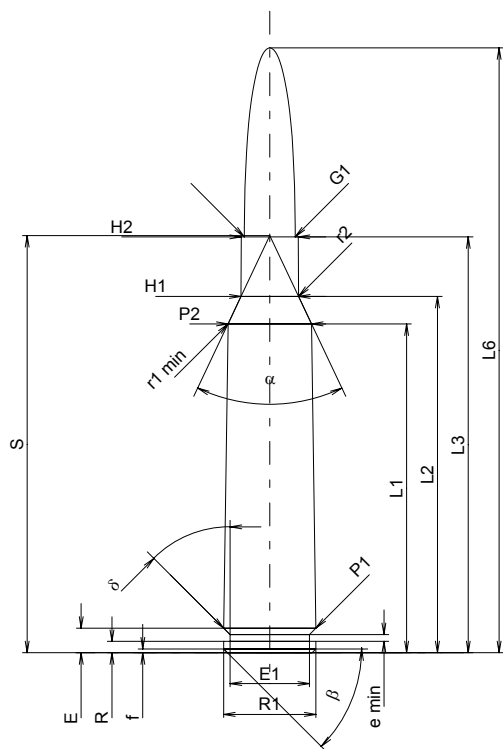
C.I.P.**6,5 x 55 SE.**

TAB. I

Date 84-06-14

Revision 02-05-15

Country of Origin: SE

**CARTRIDGE MAXI****Lengths**

L1 ¹⁾	=	43.49	-0.20
L2 ¹⁾	=	47.13	-0.20
L3 ¹⁾	=	55.00	
L4	=		
L5	=		
L6	=	80.00	

Case Head

R	=	1.50	
R1	=	12.20	
R3	=		
E	=	3.25	
E1	=	10.50	
e min	=	0.90	
delta	=	45°	
f	=	0.50	
beta	=	45°	

Powder Chamber

P1	=	12.20	
P2 ^{1)*}	=	11.04	-0.20

Junction Cone

alpha*	=	50°35'02"	
S*	=	55.17	
r1 min	=	3.50	
r2	=	3.70	

Collar

H1*	=	7.60	
H2 ¹⁾	=	7.52	

Projectile

G1 ¹⁾	=	6.71	
G2	=		
F	=		
L3+G ¹⁾	=	69.10	

Pressures (Energies)**Method Transducer**

Pmax	=	3800 bar	
PK	=	4370 bar	
PE	=	4750 bar	
M	=	25.00	
EE	=	3395 Joule	

Miscellaneous Dimensions

Fe ¹⁾	=	0.15	
delta L	=		

CHAMBER MINI**Lengths**

L1	=	43.36	
L2	=	47.04	
L3 ¹⁾	=	55.10	

Breech

R	=	1.50	
R1	=	12.23	
R2	=		
R3	=		
r	=	0.40	

Powder Chamber

E	=	3.20	
P1 ¹⁾	=	12.23	
P2*	=	11.08	

Junction Cone

alpha ^{1)*}	=	50°	
S*	=	55.24	
r1 max	=	2.60	
r2	=	3.10	

Collar

H1*	=	7.65	
H2 ¹⁾	=	7.55	

Commencement of Rifling

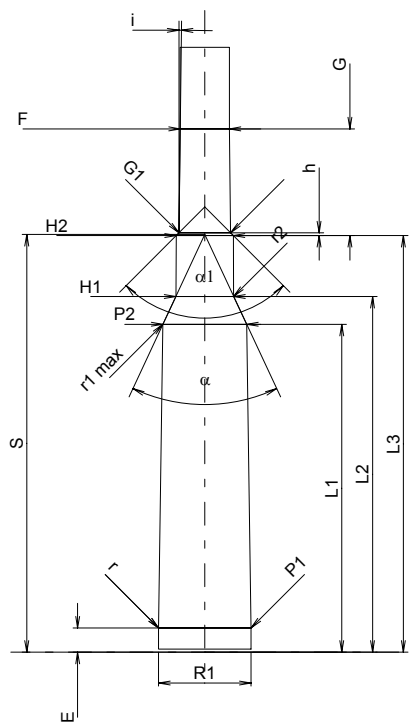
G1 ^{1)*}	=	6.84	
G ¹⁾	=	14.10	
alpha1*	=	90°	
h	=	0.35	
s	=		
i ^{1)*}	=	0°42'29"	
w	=		

Barrel

F ^{1)*}	=	6.50	
Z ¹⁾	=	6.73	

Grooves

b	=	2.50	
N	=	4	
u	=	220.00	
Q	=	34.36	mm ²



Scale 1:1

Dimensions in << mm >>
Dimensions and Tolerances for Proof Barrels
see Appendix CR 1.

Notes: 1) Check for safety reasons
* Basic dimensions