

C.I.P.

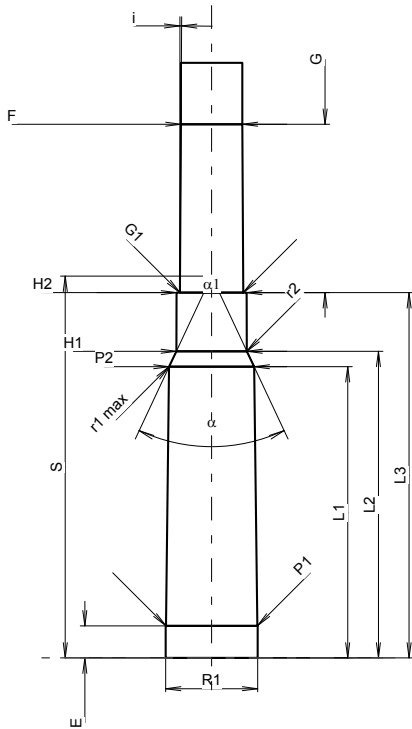
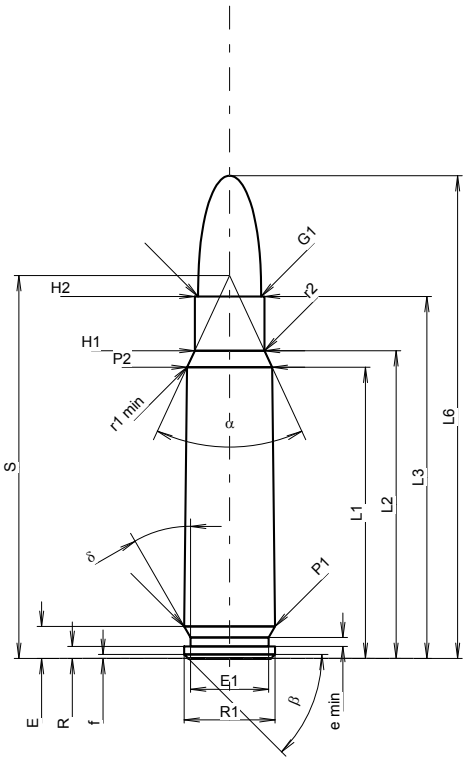
7,62 x 45

Country of Origin: CS

TAB. I

Date 92-08-03

Revision 08-09-23



Scale 1.06:1

Dimensions in << mm >>
Dimensions and Tolerances for Proof Barrels
see Appendix CR 1.

CARTRIDGE MAXI

Lengths

L1 ^{1)*}	=	36.20	-0.20
L2 ^{1)*}	=	38.25	-0.20
L3 ¹⁾	=	45.00	
L4	=		
L5	=		
L6	=	60.00	

Case Head

R	=	1.50	
R1	=	11.30	
R3	=		
E	=	3.99	
E1	=	9.70	
e min	=	1.10	
delta	=	30°	
f	=	0.50	
beta	=	45°	

Powder Chamber

P1	=	11.30	
P2 ^{1)*}	=	10.56	-0.20

Junction Cone

alpha	=	49°43'39"	
S	=	47.59	
r1 min	=	0.50	
r2	=	0.50	

Collar

H1 *	=	8.66	
H2 ¹⁾	=	8.66	

Projectile

G1 ¹⁾	=	7.83	
G2	=		
F	=		
L3+G ¹⁾	=	65.93	

Pressures (Energies)

Method Transducer

Pmax	=	4300 bar	
PK	=	4945 bar	
PE	=	5375 bar	
M	=	25.00	
EE	=	2515 Joule	

Miscellaneous Dimensions

Fe ¹⁾³⁾	=	0.10	
delta L	=		

CHAMBER MINI

Lengths

L1 *	=	36.20	
L2 *	=	38.12	
L3 ¹⁾	=	45.40	

Breech

R	=		
R1	=	11.45	
R2	=		
R3	=		
r	=		

Powder Chamber

E	=	3.99	
P1 ¹⁾	=	11.35	
P2 *	=	10.56	

Junction Cone

alpha ¹⁾	=	50°13'46"	
S	=	47.46	
r1 max	=	0.50	
r2	=	1.00	

Collar

H1 *	=	8.76	
H2 ¹⁾	=	8.70	

Commencement of Rifling

G1 ^{1)*}	=	7.90	
G ^{1)*}	=	20.93	
alpha l	=	180°	
h	=		
s	=		
i ¹⁾	=	0°22'59"	
w	=		

Barrel

F ^{1)*}	=	7.62	
Z ¹⁾	=	7.88	

Grooves

b	=	3.50	
N	=	4	
u	=	280.00	
Q	=	47.49	mm ²

Notes: 1) Check for safety reasons
3) Headspace on Shoulder
* Basic dimensions