

C.I.P.**5,7 x 28**

TAB.

I

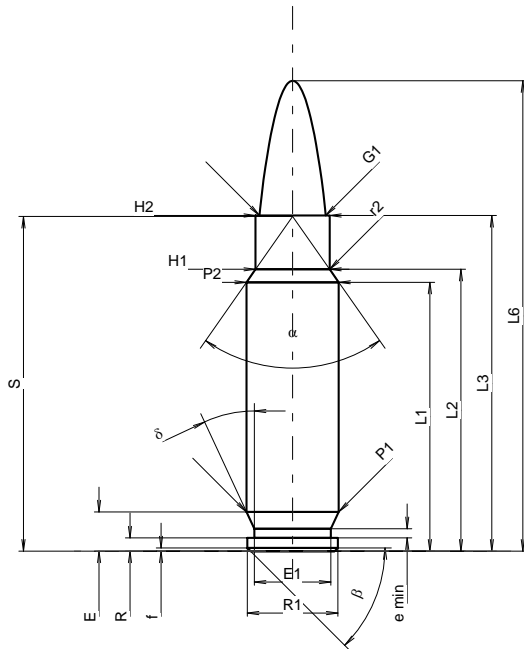
Date

93-10-19

Revision

02-05-15

Country of Origin: BE

**CARTRIDGE MAXI****Lengths**

L1 ¹⁾ *	=	23.15	-0.20
L2 ¹⁾ *	=	24.27	-0.20
L3 ¹⁾	=	28.90	
L4	=		
L5	=	31.44	
L6	=	40.50	

Case Head

R	=	1.14	
R1	=	7.80	
R3	=		
E	=	3.38	
E1	=	6.60	
e min	=	0.79	
delta	=	25°	
f	=	0.28	
beta	=	45°	

Powder Chamber

P1	=	7.95	
P2 ¹⁾ *	=	7.95	-0.20

Junction Cone

alpha	=	70°03'10"	
S	=	28.82	
r1 min	=		
r2	=	1.00	

Collar

H1 *	=	6.38	
H2 ¹⁾	=	6.38	

Projectile

G1 ¹⁾	=	5.70	
G2	=	5.26	
F	=		
L3+G ¹⁾	=	35.35	

Pressures (Energies)**Method Transducer**

Pmax	=	3450 bar	
PK	=	3968 bar	
PE	=	4313 bar	
M	=	12.00	
EE	=	1500 Joule	

Miscellaneous Dimensions

Fe ¹⁾³⁾	=	0.15	
delta L	=	0.08	

CHAMBER MINI**Lengths**

L1 *	=	23.03	
L2 *	=	24.18	
L3 ¹⁾	=	29.03	

Breech

R	=	3.02	
R1	=	8.00	
R2	=	2.90	
R3	=		
r	=		

Powder Chamber

E	=	3.52	
P1 ¹⁾	=	8.00	
P2 *	=	8.00	

Junction Cone

alpha ¹⁾	=	69°59'02"	
S	=	28.74	
r1 max	=		
r2	=		

Collar

H1 *	=	6.39	
H2 ¹⁾	=	6.39	

Commencement of Rifling

G1 ¹⁾ *	=	5.75	
G ¹⁾ *	=	6.45	
alpha1	=	90°	
h *	=	0.32	
s	=		
i ¹⁾	=	1°01'41"	
w	=		

Barrel

F ¹⁾ *	=	5.53	
Z ¹⁾	=	5.62	

Grooves

b	=	1.63	
N	=	8	
u	=	228.60	
Q	=	24.61	mm ²

Scale 1.54:1

Dimensions in << mm >>
 Dimensions and Tolerances for Proof Barrels
 see Appendix CR 1.

Notes: 1) Check for safety reasons
 3) Headspace on Shoulder
 * Basic dimensions