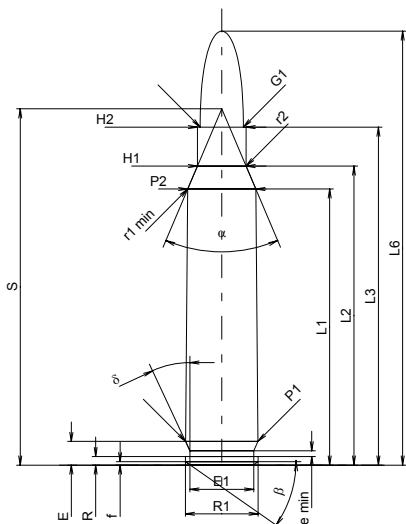


C.I.P.

223 Rem.

TAB. I
Date 84-06-14

Country of Origin: US

Revision 02-05-15

CARTRIDGE MAXI
Lengths

L1 ¹⁾	=	36.52	-0.20
L2 ¹⁾	=	39.55	-0.20
L3 ¹⁾	=	44.70	
L4	=		
L5	=		
L6	=	57.40	

Case Head

R	=	1.14	
R1	=	9.60	
R3	=		
E	=	3.13	
E1	=	8.43	
e min	=	0.76	
δ	=	25°	
f	=	0.45	
β	=	35°	

Powder Chamber

P1	=	9.58	
P2 ^{1)*}	=	9.00	-0.20

Junction Cone

α [*]	=	46°	
S [*]	=	47.12	
r1 min	=	0.64	
r2	=	2.54	

Collar

H1 [*]	=	6.43	
H2 ¹⁾	=	6.43	

Projectile

G1 ¹⁾	=	5.70	
G2	=		
F	=		
L3+G ¹⁾	=	46.88	

Pressures (Energies)
Method Transducer

Pmax	=	4300 bar	
PK	=	4945 bar	
PE	=	5375 bar	
M	=	25.00	
EE	=	1825 Joule	

Miscellaneous Dimensions

Fe ¹⁾	=	0.10	
delta L	=	0.07	

CHAMBER MINI
Lengths

L1	=	36.42	
L2	=	39.42	
L3 ¹⁾	=	45.01	

Breech

R	=		
R1	=	9.66	
R2	=		
R3	=		
r	=		

Powder Chamber

E	=	3.13	
P1 ¹⁾	=	9.61	
P2 [*]	=	9.02	

Junction Cone

α ^{1)*}	=	46°	
S [*]	=	47.05	
r1 max	=	0.64	
r2	=	3.18	

Collar

H1 [*]	=	6.48	
H2 ¹⁾	=	6.45	

Commencement of Rifling

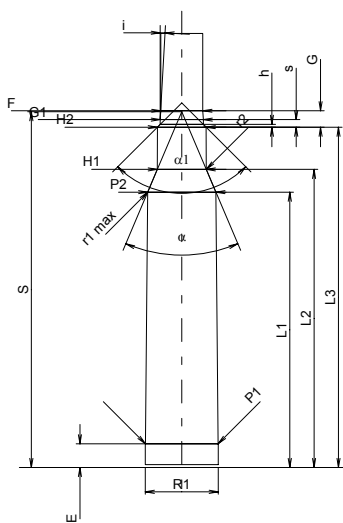
G1 ^{1)*}	=	5.69	
G ¹⁾	=	2.18	
α1	=	90°	
h	=	0.38	
s [*]	=	1.01	
i ^{1)*}	=	3°10'36"	
w	=		

Barrel

F ^{1)*}	=	5.56	
Z ¹⁾	=	5.69	

Grooves

b	=	1.88	
N	=	6	
u	=	305.00	
Q	=	25.03	mm ²



Scale 1:1

 Dimensions in << mm >>
 Dimensions and Tolerances for Proof Barrels
 see Appendix CR 1.

 Notes: 1) Check for safety reasons
 * Basic dimensions