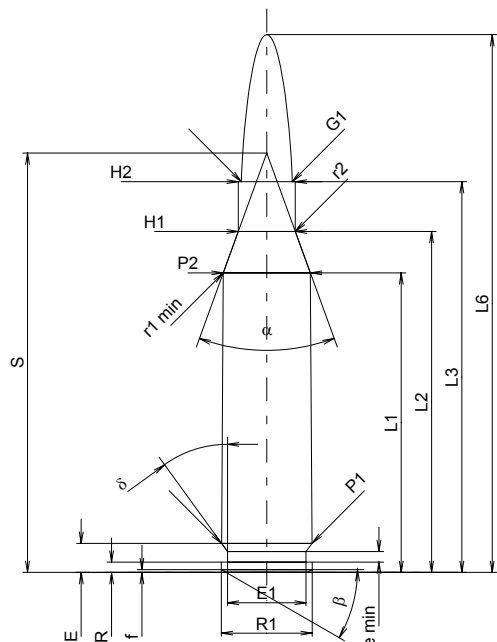


C.I.P.

260 Rem.

TAB. I
Date 98-02-09
Revision 02-05-15

Country of Origin: US


CARTRIDGE MAXI
Lengths

L1 ¹⁾	=	39.62	-0.20
L2 ¹⁾	=	45.10	-0.20
L3 ¹⁾	=	51.69	
L4	=		
L5	=		
L6	=	71.12	

Case Head

R	=	1.37	
R1	=	12.01	
R3	=		
E	=	3.85	
E1	=	10.39	
e min	=	1.40	
delta	=	36°	
f	=	0.38	
beta	=	30°	

Powder Chamber

P1	=	11.96	
P2 ^{1)*}	=	11.53	-0.20

Junction Cone

alpha*	=	40°	
S*	=	55.46	
r1 min	=	0.76	
r2	=	3.18	

Collar

H1*	=	7.54	
H2 ¹⁾	=	7.54	

Projectile

G1 ¹⁾	=	6.72	
G2	=		
F	=		
L3+G ¹⁾	=	57.31	

Pressures (Energies)
Method Transducer

Pmax	=	4150 bar	
PK	=	4773 bar	
PE	=	5190 bar	
M	=	25.00	
EE	=	2770 Joule	

Miscellaneous Dimensions

Fe ¹⁾	=	0.10	
delta L	=		

CHAMBER MINI
Lengths

L1	=	39.48	
L2	=	44.93	
L3 ¹⁾	=	51.94	

Breech

R	=		
R1	=	12.03	
R2	=		
R3	=		
r	=		

Powder Chamber

E	=	3.85	
P1 ¹⁾	=	11.98	
P2*	=	11.56	

Junction Cone

alpha ^{1)*}	=	40°	
S*	=	55.36	
r1 max	=	0.76	
r2	=	3.81	

Collar

H1*	=	7.59	
H2 ¹⁾	=	7.57	

Commencement of Rifling

G1 ^{1)*}	=	6.73	
G ¹⁾	=	5.62	
alpha1	=	90°	
h	=	0.42	
s*	=	3.43	
i ^{1)*}	=	3°	
w	=		

Barrel

F ^{1)*}	=	6.50	
Z ¹⁾	=	6.71	

Grooves

b	=	2.42	
N	=	6	
u	=	229.00	
Q	=	34.74	mm ²

Scale 1:1

 Dimensions in << mm >>
 Dimensions and Tolerances for Proof Barrels
 see Appendix CR 1.

 Notes: 1) Check for safety reasons
 * Basic dimensions