

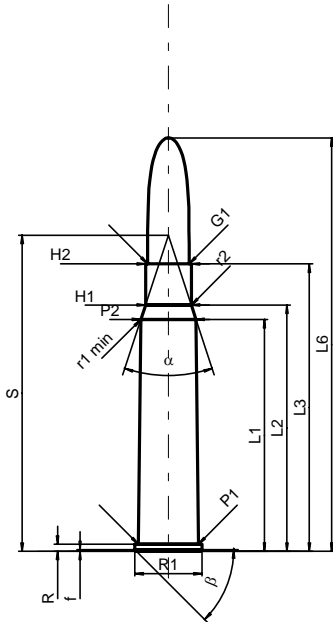
C.I.P.**8 x 57 IRS**

Ursprungsland: DE

TAB. II

Datum 84-06-14

Revision 02-05-15

**PATRONE MAXI****Längen**

L1 *	=	46.00
L2 *	=	48.85
L3 ¹⁾	=	57.00
L4	=	
L5	=	
L6	=	82.00

Hülsenboden

R ¹⁾	=	1.40	-0.25
R1	=	13.32	
R3	=		
E	=		
E1	=		
e min	=		
delta	=		
f	=	0.30	
beta	=	45°	

Pulverkammer

P1	=	11.92
P2 *	=	10.95

Schulterkonus

alpha	=	36°19'34"
S	=	62.69
r1 min	=	0.50
r2	=	0.50

Hülsenhals

H1 *	=	9.08
H2 ¹⁾	=	9.08

Geschoss

G1 ¹⁾	=	8.22
G2	=	
F	=	
L3+G ¹⁾	=	92.00

Drücke (Energien)**Mech. elektr. Wandler**

Pmax	=	3300 bar
PK	=	3795 bar
PE	=	4125 bar
M	=	25.00
EE	=	3955 Joule

Verschiedene Daten

Fe ¹⁾	=	0.15
delta L	=	

PATRONENLAGER MINI**Längen**

L1 *	=	46.00
L2 *	=	48.85
L3 ¹⁾	=	57.30

Stoßboden

R ¹⁾	=	1.40
R1	=	13.37
R2	=	
R3	=	
r	=	

Pulverkammer

E	=	
P1 ¹⁾	=	11.95
P2 *	=	10.98

Schulterkonus

alpha	=	36°19'34"
S	=	62.73
r1 max	=	0.50
r2	=	0.50

Hülsenhals

H1 *	=	9.11
H2 ¹⁾	=	9.10

Geschossübergang

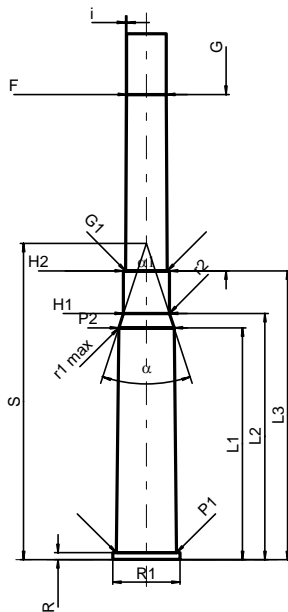
G1 ¹⁾ *	=	8.24
G ¹⁾ *	=	35.00
alpha1	=	180°
h	=	
s	=	
i ¹⁾	=	0°17'11"
w	=	

Lauf

F ¹⁾ *	=	7.89
Z ¹⁾	=	8.20

Züge

b	=	4.40
N	=	4
u	=	240.00
Q	=	51.78 mm ²



Maßstab 1:1.5

Maße in << mm >>
Maße und Toleranzen für Messläufe
siehe Anhang CR 1.

Bemerkungen: 1) Kontrolle aus Sicherheitsgründen
* Grundmaße