

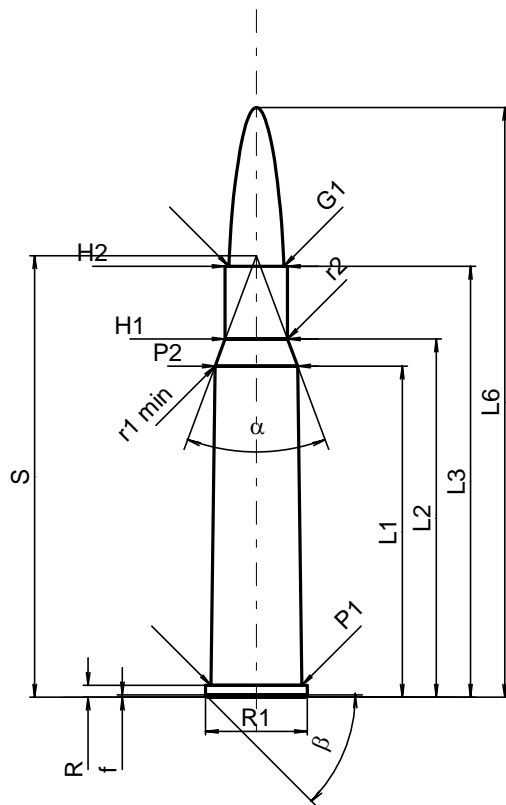
C.I.P.**7 x 57 R**

TAB. II

Date 84-06-14

Country of Origin: DE

Revision 06-09-19

**CARTRIDGE MAXI****Lengths**

| | | |
|------------------|---|-------|
| L1* | = | 43.80 |
| L2* | = | 47.37 |
| L3 ¹⁾ | = | 57.00 |
| L4 | = | |
| L5 | = | |
| L6 | = | 78.00 |

Case Head

| | | | |
|-----------------|---|-------|-------|
| R ¹⁾ | = | 1.60 | -0.25 |
| R1 | = | 13.50 | |
| R3 | = | | |
| E | = | | |
| E1 | = | | |
| e min | = | | |
| delta | = | | |
| f | = | 0.30 | |
| beta | = | 45° | |

Powder Chamber

| | | |
|-----|---|-------|
| P1 | = | 12.05 |
| P2* | = | 10.92 |

Junction Cone

| | | |
|--------|---|-----------|
| alpha | = | 41°00'24" |
| S | = | 58.40 |
| r1 min | = | 0.50 |
| r2 | = | 0.50 |

Collar

| | | |
|------------------|---|------|
| H1* | = | 8.25 |
| H2 ¹⁾ | = | 8.25 |

Projectile

| | | |
|--------------------|---|-------|
| G1 ¹⁾ | = | 7.25 |
| G2 | = | |
| F | = | |
| L3+G ¹⁾ | = | 76.69 |

Pressures (Energies)**Method Transducer**

| | | |
|------|---|------------|
| Pmax | = | 3400 bar |
| PK | = | 3910 bar |
| PE | = | 4250 bar |
| M | = | 25.00 |
| EE | = | 3390 Joule |

Miscellaneous Dimensions

| | | |
|------------------|---|------|
| Fe ¹⁾ | = | 0.15 |
| delta L | = | |

CHAMBER MINI**Lengths**

| | | |
|------------------|---|-------|
| L1* | = | 43.80 |
| L2* | = | 47.37 |
| L3 ¹⁾ | = | 57.30 |

Breech

| | | |
|-----------------|---|-------|
| R ¹⁾ | = | 1.60 |
| R1 | = | 13.55 |
| R2 | = | |
| R3 | = | |
| r | = | |

Powder Chamber

| | | |
|------------------|---|-------|
| E | = | |
| P1 ¹⁾ | = | 12.08 |
| P2* | = | 10.95 |

Junction Cone

| | | |
|--------|---|-----------|
| alpha | = | 41°00'24" |
| S | = | 58.44 |
| r1 max | = | 0.50 |
| r2 | = | 0.50 |

Collar

| | | |
|------------------|---|------|
| H1* | = | 8.28 |
| H2 ¹⁾ | = | 8.27 |

Commencement of Rifling

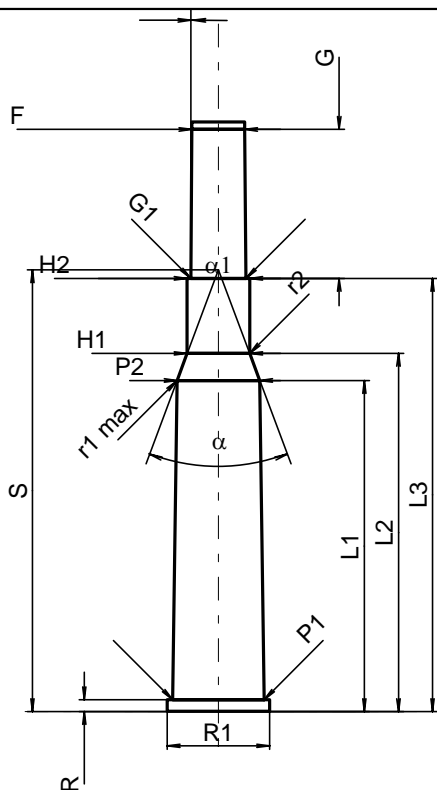
| | | |
|--------------------|---|----------|
| G1 ¹⁾ * | = | 7.30 |
| G ¹⁾ * | = | 19.69 |
| alpha1 | = | 180° |
| h* | = | |
| s | = | |
| i ¹⁾ | = | 0°28'38" |
| w | = | |

Barrel

| | | |
|-------------------|---|------|
| F ¹⁾ * | = | 6.98 |
| Z ¹⁾ | = | 7.24 |

Grooves

| | | |
|---|---|-----------------------|
| b | = | 3.70 |
| N | = | 4 |
| u | = | 228.00 |
| Q | = | 40.29 mm ² |



Scale 1:1

Dimensions in << mm >>
Dimensions and Tolerances for Proof Barrels
see Appendix CR 1.

Notes: 1) Check for safety reasons
* Basic dimensions