

C.I.P.

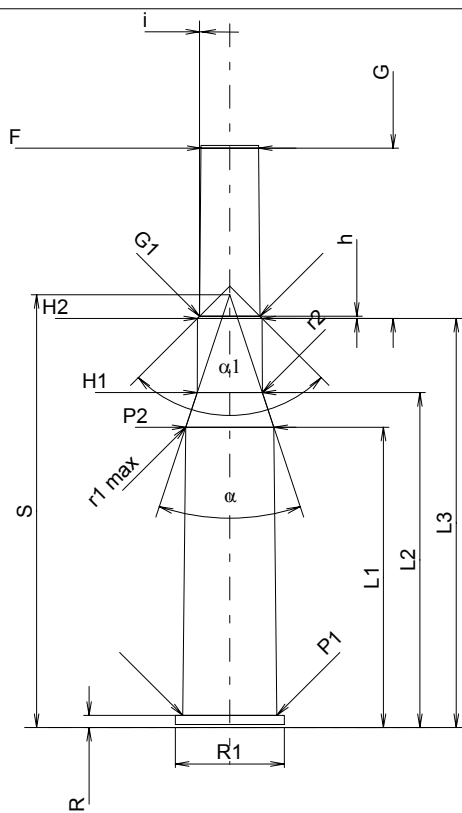
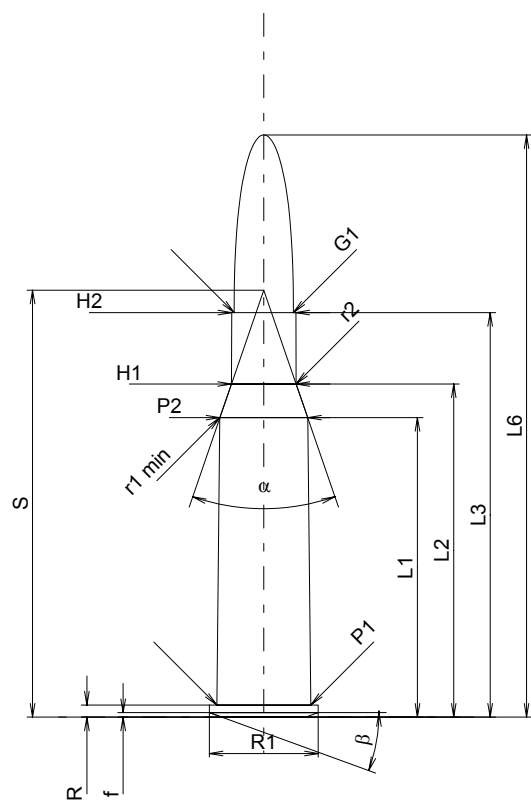
7,62 x 53 R

Country of Origin: FI

TAB. II

Date 84-06-14

Revision 02-05-15



Scale 1:1

Dimensions in << mm >>
Dimensions and Tolerances for Proof Barrels
see Appendix CR 1.

CARTRIDGE MAXI

Lengths

L1*	=	39.61
L2*	=	44.05
L3 ¹⁾	=	53.50
L4	=	
L5	=	
L6	=	77.00

Case Head

R ¹⁾	=	1.60	-0.25
R1	=	14.40	
R3	=		
E	=		
E1	=		
e min	=		
δ	=		
f	=	0.60	
β	=	20°	

Powder Chamber

P1	=	12.42
P2*	=	11.61

Junction Cone

α	=	38°01'38"
S	=	56.46
r1 min	=	0.50
r2	=	3.00

Collar

H1*	=	8.55
H2 ¹⁾	=	8.50

Projectile

G1 ¹⁾	=	7.85
G2	=	
F	=	
L3+G ¹⁾	=	76.02

Pressures (Energies)

Method Transducer

Pmax	=	3900 bar
PK	=	4485 bar
PE	=	4875 bar
M	=	25.00
EE	=	3960 Joule

Miscellaneous Dimensions

Fe ¹⁾	=	0.10
delta L	=	

CHAMBER MINI

Lengths

L1*	=	39.70
L2*	=	44.30
L3 ¹⁾	=	54.10

Breech

R ¹⁾	=	1.60
R1	=	14.43
R2	=	
R3	=	
r	=	

Powder Chamber

E	=	
P1 ¹⁾	=	12.45
P2*	=	11.67

Junction Cone

α	=	36°47'42"
S	=	57.24
r1 max	=	0.70
r2	=	3.00

Collar

H1*	=	8.61
H2 ¹⁾	=	8.55

Commencement of Rifling

G1 ¹⁾ *	=	7.98
G ¹⁾ *	=	22.52
α1	=	90°
h*	=	0.29
s	=	
i ¹⁾	=	0°30'09"
w	=	

Barrel

F ¹⁾ *	=	7.59
Z ¹⁾	=	7.83

Grooves

b	=	4.20
N	=	4
u	=	300.00
Q	=	47.38 mm ²

Notes: 1) Check for safety reasons
* Basic dimensions