

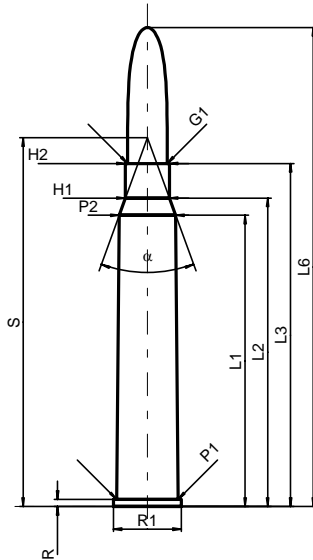
**C.I.P.****30 R Blaser**

Country of Origin: DE

TAB. II

Date 91-02-19

Revision 07-07-06

**CARTRIDGE MAXI****Lengths**

L1*	=	57.77
L2*	=	61.16
L3 <sup>1)</sup>	=	68.00
L4	=	
L5	=	
L6	=	95.00

**Case Head**

R <sup>1)</sup>	=	1.40	-0.25
R1	=	13.50	
R3	=		
E	=		
E1	=		
e min	=		
δ	=		
f	=		
β	=		

**Powder Chamber**

P1	=	12.20
P2*	=	11.20

**Junction Cone**

α	=	40°02'02"
S	=	73.14
r1 min	=	
r2	=	

**Collar**

H1*	=	8.73
H2 <sup>1)</sup>	=	8.73

**Projectile**

G1 <sup>1)</sup>	=	7.85
G2	=	
F	=	
L3+G <sup>1)</sup>	=	76.39

**Pressures (Energies)****Method Transducer**

Pmax	=	4050 bar
PK	=	4658 bar
PE	=	5060 bar
M	=	25.00
EE	=	4500 Joule

**Miscellaneous Dimensions**

Fe <sup>1)</sup>	=	0.10
delta L	=	

**CHAMBER MINI****Lengths**

L1*	=	57.78
L2*	=	61.13
L3 <sup>1)</sup>	=	68.30

**Breech**

R <sup>1)</sup>	=	1.40
R1	=	13.55
R2	=	
R3	=	
r	=	

**Powder Chamber**

E	=	1.40
P1 <sup>1)</sup>	=	12.23
P2*	=	11.23

**Junction Cone**

α	=	40°01'16"
S	=	73.20
r1 max	=	
r2	=	

**Collar**

H1*	=	8.79
H2 <sup>1)</sup>	=	8.76

**Commencement of Rifling**

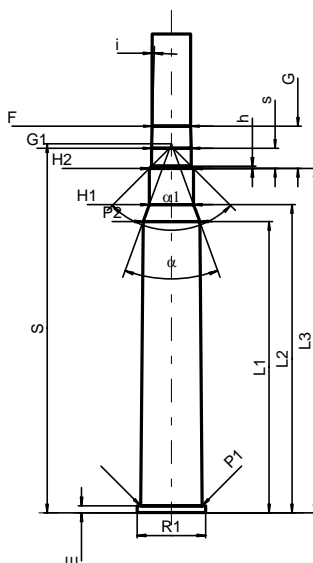
G1 <sup>1)*</sup>	=	7.85
G <sup>1)*</sup>	=	8.39
α1	=	90°
h	=	0.46
s*	=	4.00
i <sup>1)</sup>	=	1°30'
w	=	

**Barrel**

F <sup>1)*</sup>	=	7.62
Z <sup>1)</sup>	=	7.82

**Grooves**

b	=	4.47
N	=	4
u	=	305.00
Q	=	47.51 mm <sup>2</sup>



Scale 1:1.5

Dimensions in << mm >>  
Dimensions and Tolerances for Proof Barrels  
see Appendix CR 1.

Notes: 1) Check for safety reasons  
\* Basic dimensions