

C.I.P.**38-40 Win.**

TAB.

II

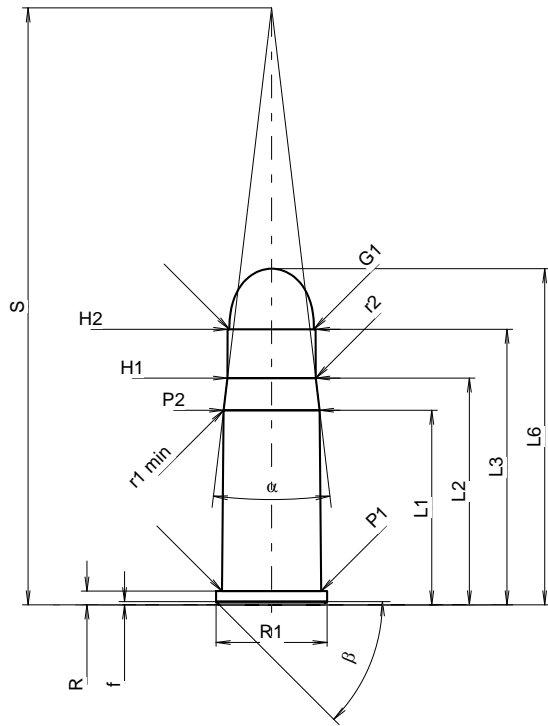
Date

84-06-14

Revision

02-05-15

Country of Origin: US

**CARTRIDGE MAXI****Lengths**

L1	=	23.42
L2	=	27.28
L3 ¹⁾	=	33.15
L4	=	
L5	=	
L6	=	40.44

Case Head

R ¹⁾	=	1.65	-0.25
R1	=	13.34	
R3	=		
E	=		
E1	=		
e min	=		
delta	=		
f	=	0.38	
beta	=	45°	

Powder Chamber

P1	=	11.93
P2 *	=	11.54

Junction Cone

alpha *	=	13°36'
S *	=	71.81
r1 min	=	17.53
r2	=	13.72

Collar

H1 *	=	10.62
H2 ¹⁾	=	10.58

Projectile

G1 ¹⁾	=	10.17
G2	=	
F	=	
L3+G ¹⁾	=	34.69

Pressures (Energies)**Method Transducer**

Pmax	=	1150 bar
PK	=	1323 bar
PE	=	1440 bar
M	=	17.50
EE	=	1945 Joule

Miscellaneous Dimensions

Fe ¹⁾⁴⁾	=	0.15
delta L	=	

CHAMBER MINI**Lengths**

L1	=	23.18
L2	=	27.12
L3 ¹⁾	=	33.45

Breech

R ¹⁾	=	1.65
R1	=	13.59
R2	=	
R3	=	
r	=	

Powder Chamber

E	=	
P1 ¹⁾	=	11.96
P2 *	=	11.60

Junction Cone

alpha *	=	13°44'
S *	=	71.34
r1 max	=	17.53
r2	=	13.72

Collar

H1 *	=	10.65
H2 ¹⁾	=	10.61

Commencement of Rifling

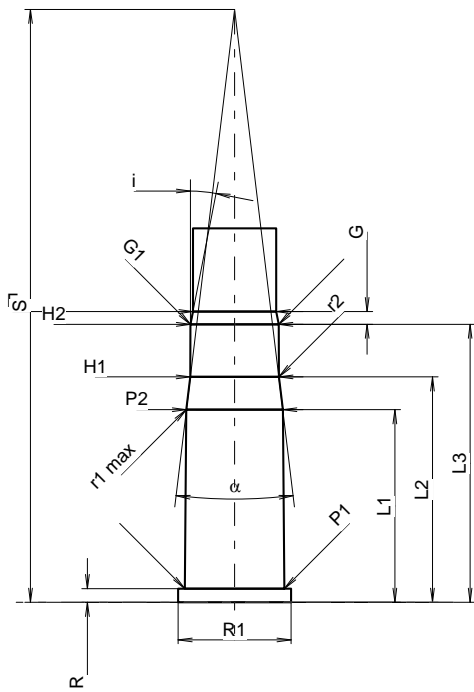
G1 ¹⁾ *	=	10.61
G ¹⁾	=	1.54
alpha l	=	180°
h	=	
s	=	
i ¹⁾ *	=	11°
w	=	

Barrel

F ¹⁾ *	=	10.01
Z ¹⁾	=	10.16

Grooves

b	=	3.14
N	=	6
u	=	914.00
Q	=	80.13 mm ²



Scale 1.1:1

Dimensions in << mm >>
Dimensions and Tolerances for Proof Barrels
see Appendix CR 1.

Notes: 1) Check for safety reasons
4) Headspace on Rim
* Basic dimensions