

C.I.P.

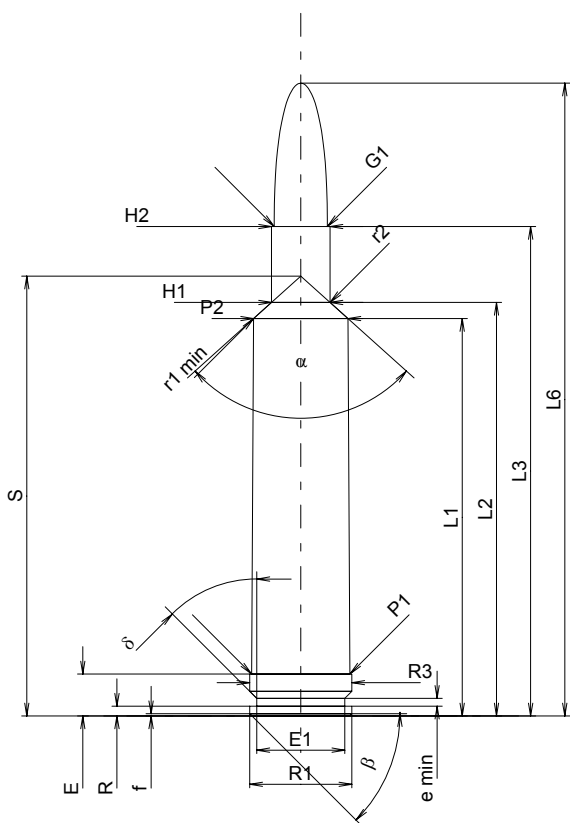
270 Weath. Mag.

Country of Origin: US

TAB. III

Date 84-06-14

Revision 02-05-15



CARTRIDGE MAXI

Lengths

L1	=	52.57
L2	=	54.70
L3 ¹⁾	=	64.74
L4	=	
L5	=	
L6	=	83.69

Case Head

R	=	1.30
R1	=	13.50
R3	=	13.50
E ¹⁾	=	5.56
E1	=	11.61
e min	=	1.02
delta	=	45°
f	=	0.30
beta	=	45°

Powder Chamber

P1	=	13.00
P2*	=	12.48

Junction Cone

alpha*	=	96°06'27"
S*	=	58.18
r1 min	=	3.30
r2	=	3.84

Collar

H1*	=	7.75
H2 ¹⁾	=	7.75

Projectile

G1 ¹⁾	=	7.04
G2	=	
F	=	
L3+G ¹⁾	=	79.77

Pressures (Energies)

Method Transducer

Pmax	=	4400 bar
PK	=	5060 bar
PE	=	5500 bar
M	=	25.00
EE	=	4935 Joule

Miscellaneous Dimensions

Fe ¹⁾	=	0.10
delta L	=	

CHAMBER MINI

Lengths

L1	=	52.67
L2	=	54.72
L3 ¹⁾	=	65.13

Breech

R	=	
R1	=	13.56
R2	=	
R3	=	13.56
r	=	

Powder Chamber

E ¹⁾	=	5.59
P1 ¹⁾	=	13.06
P2*	=	12.58

Junction Cone

alpha*	=	97°39'39"
S*	=	58.17
r1 max	=	3.05
r2	=	3.84

Collar

H1*	=	7.88
H2 ¹⁾	=	7.82

Commencement of Rifling

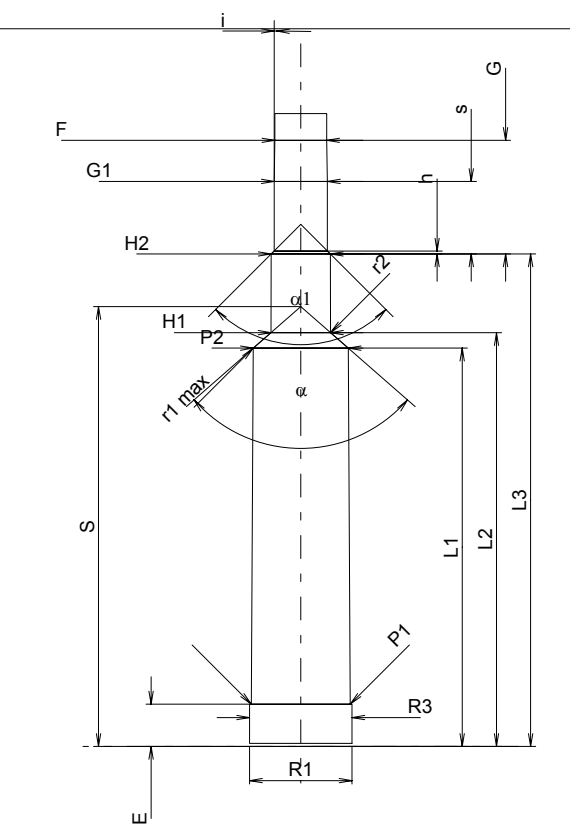
G1 ¹⁾ *	=	7.05
G ¹⁾	=	15.03
alpha1*	=	90°
h	=	0.39
s	=	9.60
j ¹⁾ *	=	0°57'
w	=	

Barrel

F ¹⁾ *	=	6.87
Z ¹⁾	=	7.04

Grooves

b	=	2.74
N	=	6
u	=	254.00
Q	=	38.50 mm ²



Scale 1:1

Dimensions in << mm >>
Dimensions and Tolerances for Proof Barrels
see Appendix CR 1.

Notes: 1) Check for safety reasons
* Basic dimensions