

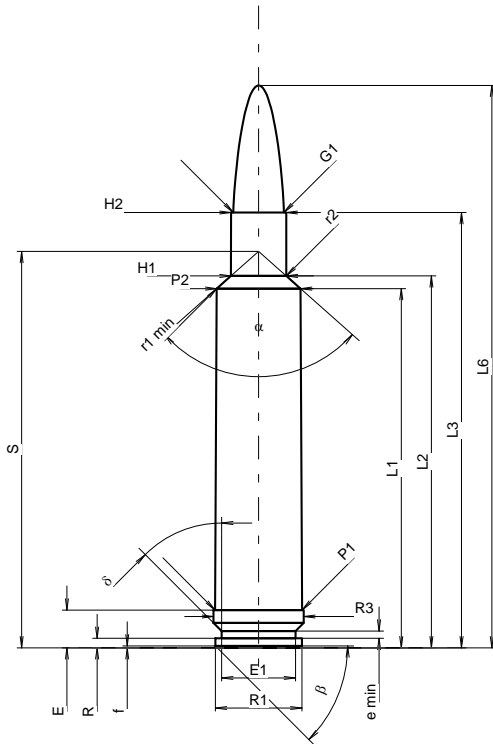
C.I.P.**338-378 Weath. Mag.**

TAB. III

Date 98-02-09

Revision 09-05-05

Country of Origin: US

**CARTRIDGE MAXI****Lengths**

L1	=	61.05
L2	=	63.19
L3 ¹⁾	=	73.99
L4	=	
L5	=	
L6	=	95.58

Case Head

R	=	1.60
R1	=	14.71
R3	=	15.33
E ¹⁾	=	6.40
E1	=	12.57
e min	=	1.24
delta	=	45°
f	=	0.30
beta	=	45°

Powder Chamber

P1	=	14.78
P2 *	=	14.24

Junction Cone

alpha *	=	96°54'35"
S *	=	67.36
r1 min	=	3.30
r2	=	3.89

Collar

H1 *	=	9.41
H2 ¹⁾	=	9.37

Projectile

G1 ¹⁾	=	8.60
G2	=	
F	=	
L3+G ¹⁾	=	89.56

Pressures (Energies)**Method Transducer**

Pmax	=	4400 bar
PK	=	5060 bar
PE	=	5500 bar
M	=	25.00
EE	=	7350 Joule

Miscellaneous Dimensions

Fe ¹⁾⁵⁾	=	0.10
delta L	=	

CHAMBER MINI**Lengths**

L1	=	61.20
L2	=	63.28
L3 ¹⁾	=	74.65

Breech

R	=	
R1	=	15.39
R2	=	
R3	=	15.39
r	=	

Powder Chamber

E ¹⁾	=	6.40
P1 ¹⁾	=	14.82
P2 *	=	14.32

Junction Cone

alpha *	=	99°04'21"
S *	=	67.31
r1 max	=	3.05
r2	=	3.89

Collar

H1 *	=	9.44
H2 ¹⁾	=	9.41

Commencement of Rifling

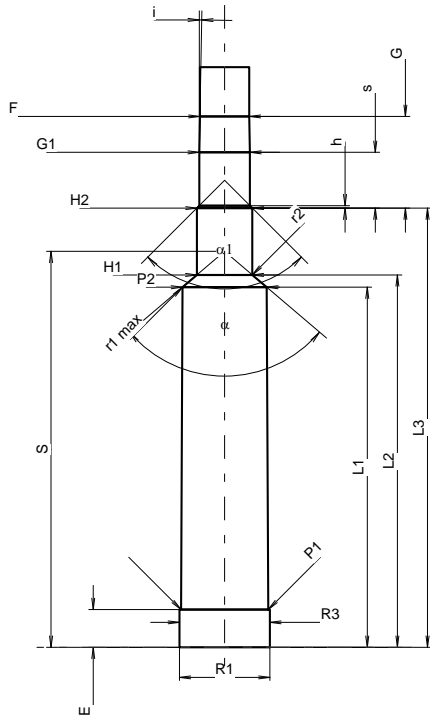
G1 ¹⁾ *	=	8.60
G ¹⁾	=	15.57
alpha1 *	=	90°
h	=	0.41
s	=	9.47
i ¹⁾ *	=	1°02'
w	=	

Barrel

F ¹⁾ *	=	8.38
Z ¹⁾	=	8.59

Grooves

b	=	3.20
N	=	6
u	=	254.00
Q	=	57.22 mm ²



Scale 1:1.28

Dimensions in << mm >>
 Dimensions and Tolerances for Proof Barrels
 see Appendix CR 1.

Notes: 1) Check for safety reasons
 5) Headspace on Belt
 * Basic dimensions