

# C.I.P.

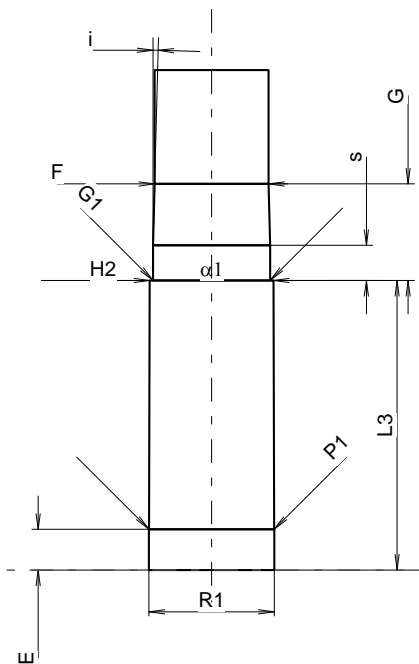
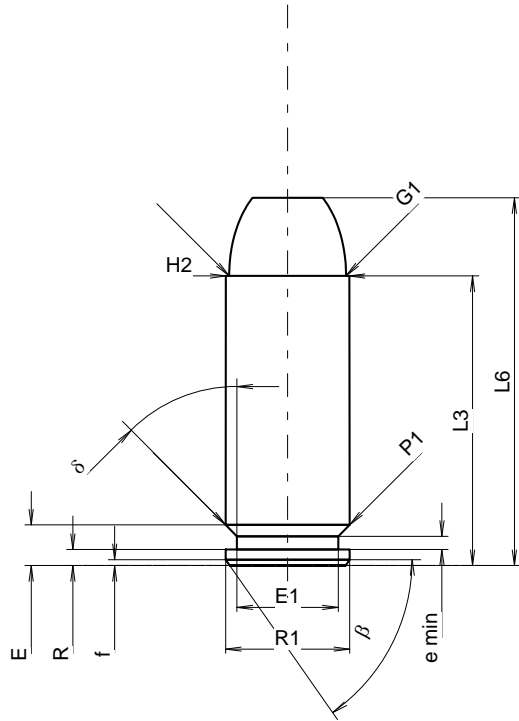
## 10 mm Auto

Country of Origin: SE

TAB. IV

Date 84-10-03

Revision 12-05-30



Scale 1.52:1

Dimensions in << mm >>  
Dimensions and Tolerances for Proof Barrels  
see Appendix CR 1.**CARTRIDGE MAXI****Lengths**

L1	=		
L2	=		
L3 <sup>1)</sup>	=	25.20	-0.25
L4	=		
L5	=		
L6	=	32.00	

**Case Head**

R	=	1.40	
R1	=	10.80	
R3	=		
E	=	3.54	
E1	=	8.81	
e min	=	1.14	
delta	=	45°	
f	=	0.51	
beta	=	55°	

**Powder Chamber**

P1	=	10.80	
P2	=		

**Junction Cone**

alpha	=		
S	=		
r1 min	=		
r2	=		

**Collar**

H1	=		
H2 <sup>1)</sup>	=	10.74	

**Projectile**

G1 <sup>1)</sup>	=	10.17	
G2	=		
F	=		
L3+G <sup>1)</sup>	=	33.60	

**Pressures (Energies)****Method Transducer**

Pmax	=	2300 bar	
PK	=	2645 bar	
PE	=	2990 bar	
M	=	12.50	

**Miscellaneous Dimensions**

Fe <sup>1)6)</sup>	=	0.30	
delta L	=		

Notes: 1) Check for safety reasons  
6) Headspace on Case Mouth  
\* Basic dimensions**CHAMBER MINI****Lengths**

L1	=		
L2	=		
L3 <sup>1)</sup>	=	25.20	

**Breech**

R	=		
R1	=	10.90	
R2	=		
R3	=		
r	=		

**Powder Chamber**

E	=	3.54	
P1 <sup>1)</sup>	=	10.88	
P2	=		

**Junction Cone**

alpha	=		
S	=		
r1 max	=		
r2	=		

**Collar**

H1	=		
H2 <sup>1)</sup>	=	10.77	

**Commencement of Rifling**

G1 <sup>1)</sup> *	=	10.19	
G <sup>1)</sup>	=	8.40	
alpha 1	=	180°	
h	=		
s *	=	3.05	
i <sup>1)</sup> *	=	1°30'	
w	=		

**Barrel**

F <sup>1)</sup> *	=	9.91	
Z <sup>1)</sup>	=	10.17	

**Grooves**

b	=	3.05	
N	=	6	
u	=	406.40	
Q	=	79.55	mm <sup>2</sup>