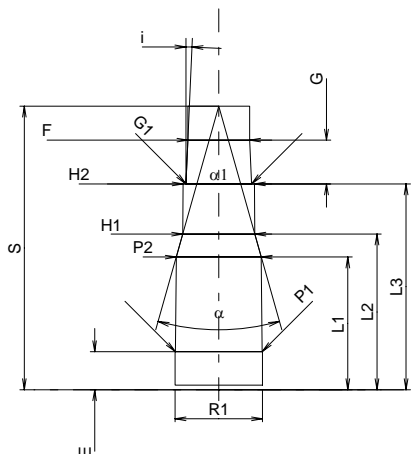
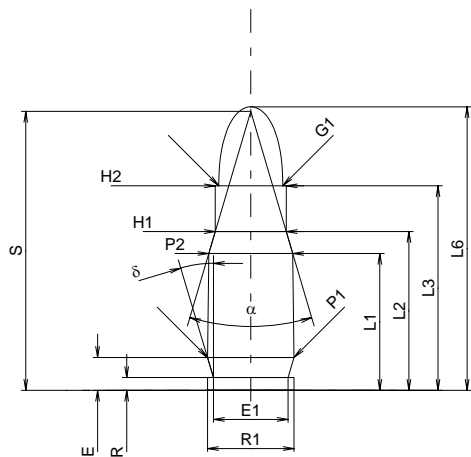


# C.I.P.

# 5,45x18

**TAB. IV**
**Date 93-05-24**
**Revision 00-06-07**

Country of Origin: SU


**CARTRIDGE MAXI**
**Lengths**

L1 *	=	12.07	-0.20
L2	=	14.00	-0.20
L3 <sup>1)</sup>	=	18.03	-0.25
L4	=		
L5	=		
L6	=	25.00	

**Case Head**

R	=	1.13	-0.25
R1	=	7.64	
R3	=		
E	=	2.90	
E1	=	6.58	
e min	=		
delta	=	16°40'10"	
f	=		
beta	=		

**Powder Chamber**

P1 *	=	7.64	
P2 *	=	7.40	-0.20

**Junction Cone**

alpha	=	32°54'28"	
S	=	24.60	
r1 min	=		
r2	=		

**Collar**

H1 *	=	6.26	
H2 <sup>1)</sup>	=	6.26	

**Projectile**

G1 <sup>1)</sup>	=	5.63	
G2	=		
F	=		
L3+G <sup>1)</sup>	=	21.89	

**Pressures (Energies)**
**Method Transducer**

Pmax	=	1750 bar	
PK	=	2013 bar	
PE	=	2275 bar	
M	=	9.00	

**Miscellaneous Dimensions**

Fe	=	0.20	
delta L	=		

**CHAMBER MINI**
**Lengths**

L1 *	=	11.70	
L2 *	=	13.72	
L3 <sup>1)2)</sup>	=	18.15	+0.10

**Breech**

R <sup>1)</sup>	=	1.05	
R1	=	7.70	
R2	=		
R3	=		
r	=		

**Powder Chamber**

E	=	3.35	
P1 <sup>1)2)</sup>	=	7.65	+0.03
P2 <sup>2)</sup> *	=	7.50	+0.02

**Junction Cone**

alpha <sup>1)</sup>	=	31°30'57"	
S	=	25.00	
r1 max	=		
r2	=		

**Collar**

H1 *	=	6.36	
H2 <sup>1)2)</sup>	=	6.30	+0.02

**Commencement of Rifling**

G1 <sup>1)2)*</sup>	=	5.80	+0.03
G <sup>1)*</sup>	=	3.86	
alpha1	=	180°	
h	=		
s	=		
i <sup>1)</sup>	=	2°35'44"	
w	=		

**Barrel**

F <sup>1)2)*</sup>	=	5.45	+0.02
Z <sup>1)2)</sup>	=	5.60	+0.03

**Grooves**

b	=	2.00	
N	=	6	
u	=	270.00	
Q <sup>3)</sup>	=	24.25	mm <sup>2</sup>

Scale 1.5:1

 Dimensions in << mm >>  
 Dimensions and Tolerances for Proof Barrels  
 see Appendix .

 Notes: 1) Check for safety reasons  
 2) Valid only for Proof Barrels  
 3)  
 \* Basic dimensions