

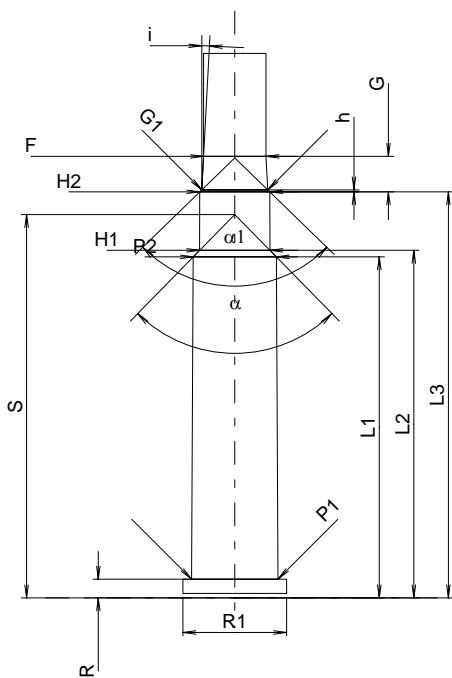
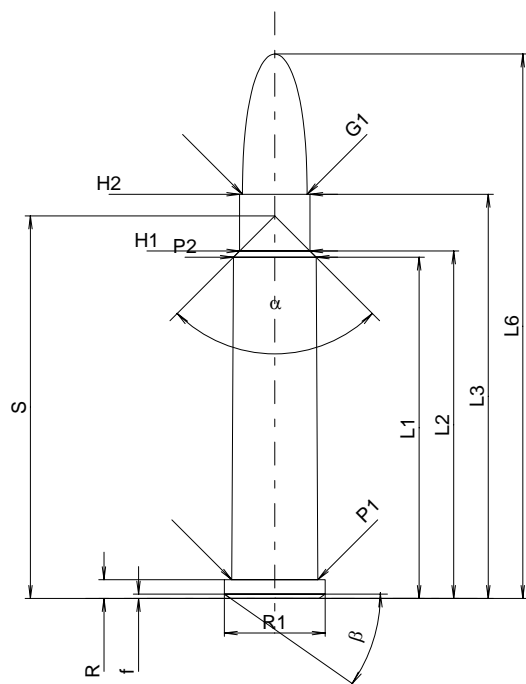
C.I.P.**22 PICRA**

TAB. IV

Date 99-03-15

Revision 00-06-07

Country of Origin: CZ



Scale 1.5:1

Dimensions in << mm >>
 Dimensions and Tolerances for Proof Barrels
 see Appendix CR 1.

CARTRIDGE MAXI**Lengths**

L1 ¹⁾ *	=	30.09	-0.20
L2 ¹⁾ *	=	30.64	-0.20
L3 ¹⁾	=	35.64	
L4	=		
L5	=		
L6	=	48.00	

Case Head

R	=	1.65	
R1	=	8.89	
R3	=		
E	=		
E1	=		
e min	=		
δ	=		
f	=	0.38	
β	=	35°	

Powder Chamber

P1	=	7.59	
P2 ¹⁾ *	=	7.29	-0.20

Junction Cone

α	=	90°	
S	=	33.73	
r1 min	=		
r2	=		

Collar

H1 *	=	6.19	
H2 ¹⁾	=	6.19	

Projectile

G1 ¹⁾	=	5.70	
G2	=		
F	=		
L3+G ¹⁾	=	38.77	

Pressures (Energies)**Method Transducer**

Pmax	=	3200 bar	
PK	=	3680 bar	
PE	=	4160 bar	
M	=	17.50	

Miscellaneous Dimensions

Fe ¹⁾	=	0.15	
delta L	=		

CHAMBER MINI**Lengths**

L1 *	=	30.07	
L2 *	=	30.64	
L3 ¹⁾	=	35.80	

Breech

R	=	1.65	
R1	=	9.14	
R2	=		
R3	=		
r	=		

Powder Chamber

E	=		
P1 ¹⁾	=	7.62	
P2 *	=	7.32	

Junction Cone

α ¹⁾	=	88°59'09"	
S	=	33.80	
r1 max	=		
r2	=		

Collar

H1 *	=	6.20	
H2 ¹⁾	=	6.17	

Commencement of Rifling

G1 ¹⁾ *	=	5.82	
G ¹⁾ *	=	3.13	
α_1	=	91°39'38"	
h	=	0.17	
s	=		
j ¹⁾	=	2°59'51"	
w	=		

Barrel

F ¹⁾ *	=	5.51	
Z ¹⁾	=	5.64	

Grooves

b	=	1.73	
N	=	6	
u	=	406.00	
Q	=	24.53	mm ²

Notes: 1) Check for safety reasons
 * Basic dimensions