

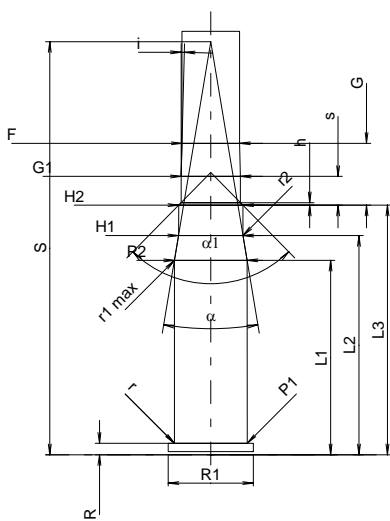
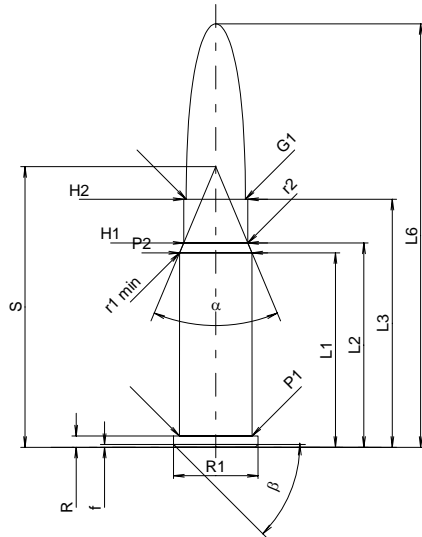
C.I.P.**30 PICRA**

TAB. IV

Date 99-04-20

Revision 00-06-07

Country of Origin: CZ



Scale 1:1

Dimensions in << mm >>
Dimensions and Tolerances for Proof Barrels
see Appendix CR 1.

CARTRIDGE MAXI**Lengths**

L1 ¹⁾ *	=	25.72	-0.20
L2 ¹⁾ *	=	27.03	-0.20
L3 ¹⁾	=	32.80	
L4	=		
L5	=		
L6	=	56.00	

Case Head

R	=	1.50	
R1	=	11.18	
R3	=		
E	=		
E1	=		
e min	=		
delta	=		
f	=	0.38	
beta	=	45°	

Powder Chamber

P1	=	9.60	
P2 ¹⁾ *	=	9.57	-0.20

Junction Cone

alpha	=	45°33'	
S	=	37.12	
r1 min	=	0.76	
r2	=	2.54	

Collar

H1 *	=	8.47	
H2 ¹⁾	=	8.47	

Projectile

G1 ¹⁾	=	7.82	
G2	=		
F	=		
L3+G ¹⁾	=	40.99	

Pressures (Energies)**Method Transducer**

Pmax	=	2800 bar	
PK	=	3220 bar	
PE	=	3640 bar	
M	=	17.50	

Miscellaneous Dimensions

Fe ¹⁾	=	0.15	
delta L	=		

CHAMBER MINI**Lengths**

L1 *	=	25.70	
L2 *	=	28.98	
L3 ¹⁾	=	33.00	

Breech

R	=	1.52	
R1	=	11.28	
R2	=		
R3	=		
r	=	0.20	

Powder Chamber

E	=		
P1 ¹⁾	=	9.63	
P2 *	=	9.61	

Junction Cone

alpha ¹⁾	=	18°52'05"	
S	=	54.62	
r1 max	=	0.50	
r2	=	0.50	

Collar

H1 *	=	8.52	
H2 ¹⁾	=	8.50	

Commencement of Rifling

G1 ¹⁾ *	=	7.85	
G ¹⁾ *	=	8.19	
alpha1	=	89°07'31"	
h	=	0.33	
s *	=	3.80	
i ¹⁾	=	1°30'02"	
w	=		

Barrel

F ¹⁾ *	=	7.62	
Z ¹⁾	=	7.82	

Grooves

b	=	4.49	
N	=	4	
u	=	254.00	
Q	=	47.52	mm ²

Notes: 1) Check for safety reasons
* Basic dimensions