

C.I.P.

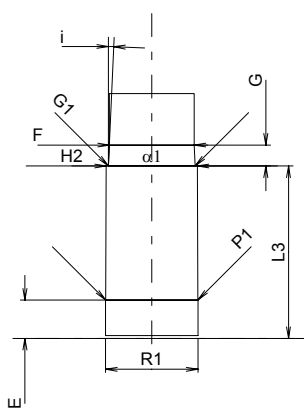
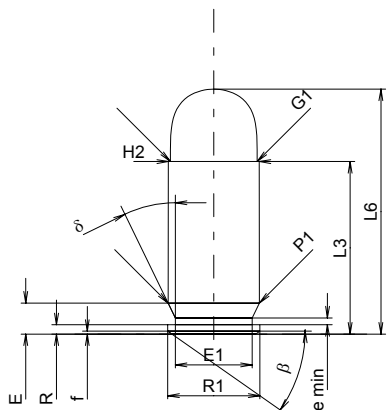
45 Auto

Country of Origin: US

TAB. IV

Date 84-06-14

Revision 00-06-07



CARTRIDGE MAXI

Lengths

L1	=		
L2	=		
L3 ¹⁾	=	22.81	-0.25
L4	=		
L5	=		
L6	=	32.39	

Case Head

R	=	1.24	
R1	=	12.19	
R3	=		
E	=	4.11	
E1	=	10.16	
e min	=	0.89	
delta	=	26°	
f	=	0.38	
beta	=	35°	

Powder Chamber

P1	=	12.09	
P2	=		

Junction Cone

alpha	=		
S	=		
r1 min	=		
r2	=		

Collar

H1	=		
H2 ¹⁾	=	12.01	

Projectile

G1 ¹⁾	=	11.48	
G2	=		
F	=		
L3+G ¹⁾	=	25.58	

Pressures (Energies)

Method Transducer

Pmax	=	1300 bar	
PK	=	1495 bar	
PE	=	1690 bar	
M	=	12.50	

Miscellaneous Dimensions

Fe ¹⁾	=	0.30	
delta L	=		

CHAMBER MINI

Lengths

L1	=		
L2	=		
L3 ¹⁾	=	22.81	

Breech

R	=		
R1	=	12.22	
R2	=		
R3	=		
r	=		

Powder Chamber

E	=	5.08	
P1 ¹⁾	=	12.18	
P2	=		

Junction Cone

alpha	=		
S	=		
r1 max	=		
r2	=		

Collar

H1	=		
H2 ¹⁾	=	12.04	

Commencement of Rifling

G1 ^{1)*}	=	11.48	
G ¹⁾	=	2.77	
alpha1 [*]	=	180°	
h	=		
s	=		
i ^{1)*}	=	2°34'59"	
w	=		

Barrel

F ^{1)*}	=	11.23	
Z ¹⁾	=	11.43	

Grooves

b	=	3.73	
N	=	6	
u	=	406.00	
Q	=	101.33	mm ²

Scale 1:1

Dimensions in << mm >>
Dimensions and Tolerances for Proof Barrels
see Appendix CR 1.

Notes: 1) Check for safety reasons
* Basic dimensions