

C.I.P.

22 Long Rifle

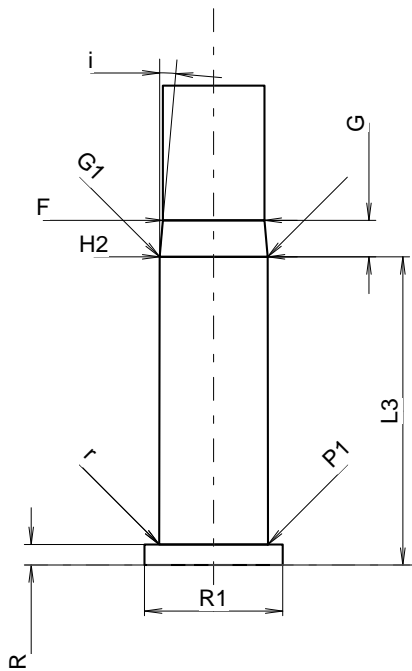
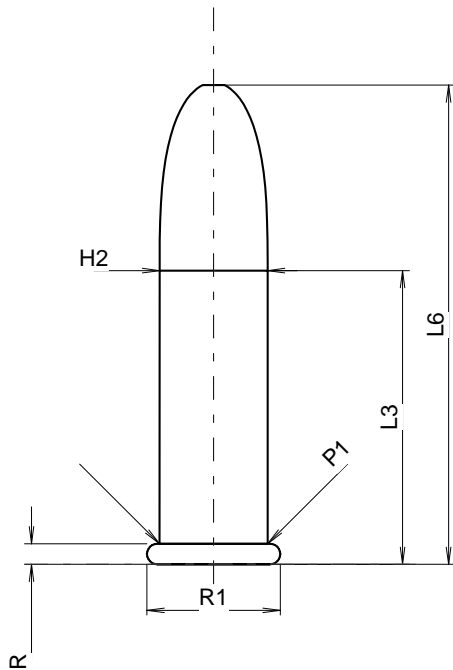
Country of Origin: US

TAB. V

Date 84-06-14

Revision 08-09-23

Alternative Names: 22 l.r., 22 lang für Büchsen, 22 lfB



Scale 2.5:1

Dimensions in << mm >>
Dimensions and Tolerances for Proof Barrels
see Appendix CR 2.**CARTRIDGE MAXI****Lengths**

L1	=	
L2	=	
L3 ¹⁾	=	15.57
L4	=	
L5	=	
L6	=	25.40

Case Head

R ¹⁾	=	1.09	-0.18
R1	=	7.06	
R3	=		
E	=		
E1	=		
e min	=		
δ	=		
f	=		
β	=		

Powder Chamber

P1	=	5.74
P2	=	

Junction Cone

α	=	
S	=	
r1 min	=	
r2	=	

Collar

H1	=	
H2 ¹⁾	=	5.72

Projectile

G1 ¹⁾	=	5.72
G2	=	
F	=	
L3+G ¹⁾	=	17.51

Pressures (Energies)**Method Transducer**

Pmax	=	1700 bar
PK	=	1955 bar
PE	=	2210 bar
M	=	9.00

Miscellaneous Dimensions

Fe ¹⁾⁴⁾	=	0.20
delta L	=	

CHAMBER MINI**Lengths**

L1	=	
L2	=	
L3 ¹⁾	=	16.33

Breech

R ¹⁾	=	1.09
R1	=	7.32
R2	=	
R3	=	
r	=	0.25

Powder Chamber

E	=	
P1 ¹⁾	=	5.76
P2	=	

Junction Cone

α	=	
S	=	
r1 max	=	
r2	=	

Collar

H1	=	
H2 ¹⁾	=	5.72

Commencement of Rifling

G1 * ¹⁾	=	5.72
G	=	1.94
α1	=	
h	=	
s	=	
i *	=	5°
w	=	

Barrel

F ¹⁾ *	=	5.38
Z ¹⁾	=	5.58

Grooves

b	=	2.16
N	=	6
u	=	406.00
Q	=	24.07 mm ²

Notes: 1) Check for safety reasons
4) Headspace on Rim
* Basic dimensions