

C.I.P.**10 x 28**

TAB.

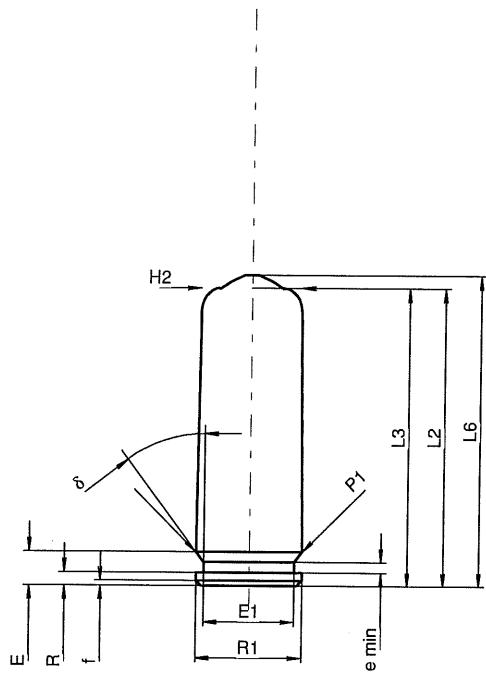
X

Date

12-05-30

Country of Origin: RU

Revision

**CARTRIDGE MAXI****Lengths**

L1	=	
L2	=	27.80
L3 1)	=	27.80
L4	=	
L5	=	
L6 1)	=	29.00

Case Head

R	=	1.25
R1	=	10.00
R3	=	
E	=	3.21
E1	=	8.55
e min	=	1.00
δ	=	37°
f	=	0.50
β	=	

Powder Chamber

P1	=	10.00
P2	=	

Junction Cone

α	=	
S	=	
r1 min	=	
r2	=	

Collar

H1	=	
H2 1)	=	9.55

Projectile

G1	=	
G2	=	
F	=	
L3+G	=	42.39

Pressures (Energies)**Method Transducer**

Pmax	=	1800 bar
PK	=	2070 bar
PE	=	2340 bar
M	=	10.50

Miscellaneous Dimensions

Fe	=	
delta L	=	

CHAMBER MINI**Lengths**

L1	=	
L2	=	
L3 1)	=	25.41

Breech

R	=	
R1	=	10.10
R2	=	
R3	=	
r	=	

Powder Chamber

E	=	
P1 1)	=	10.10
P2	=	

Junction Cone

α	=	
S	=	
r1 max	=	
r2	=	

Collar

H1	=	
H2 1)	=	9.76

Commencement of Rifling

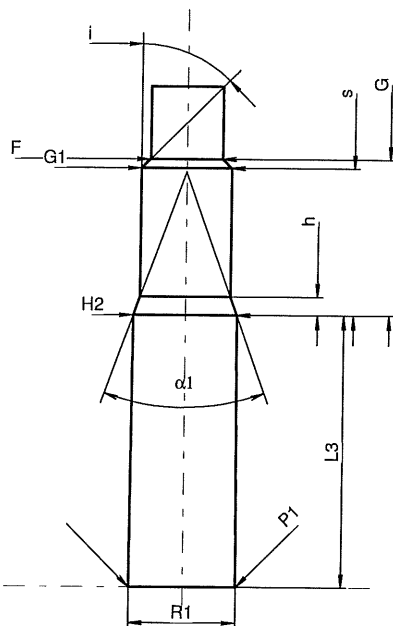
G1	=	8.50
G	=	14.59
α_1	=	40°
h	=	1.73
s	=	13.74
i	=	45°
w	=	

Barrel

F	=	6.80
Z	=	

Grooves

b	=	
N	=	
u	=	
Q	=	36.32 mm ²



Scale 1.5:1

Dimensions in << mm >>
Dimensions and Tolerances for Proof Barrels
see Appendix CR 1.

Notes: 1) Check for safety reasons